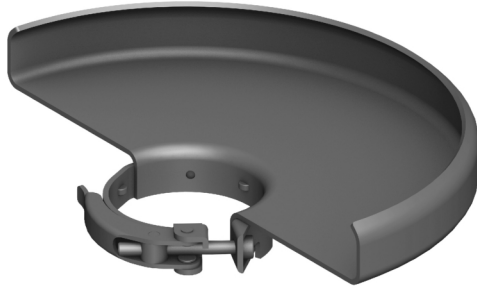


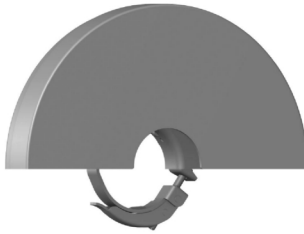
2



3



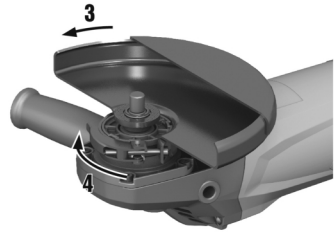
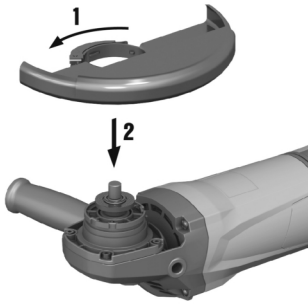
4



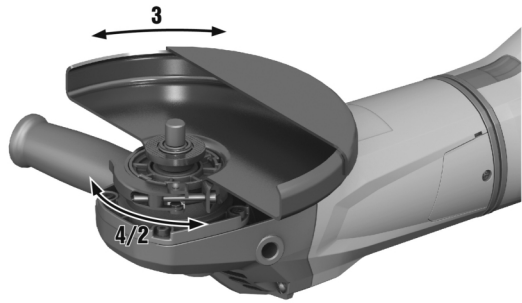
5



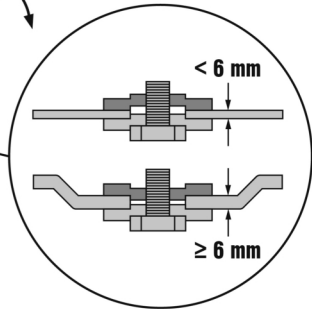
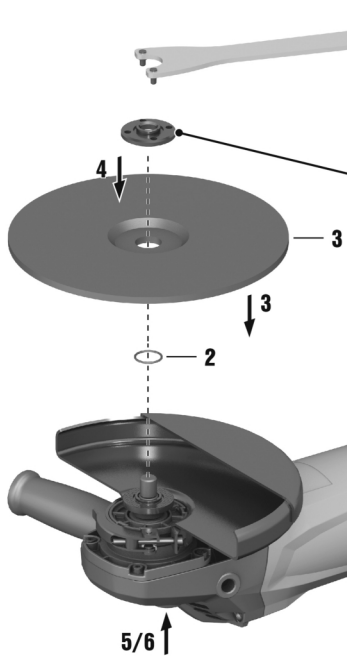
6



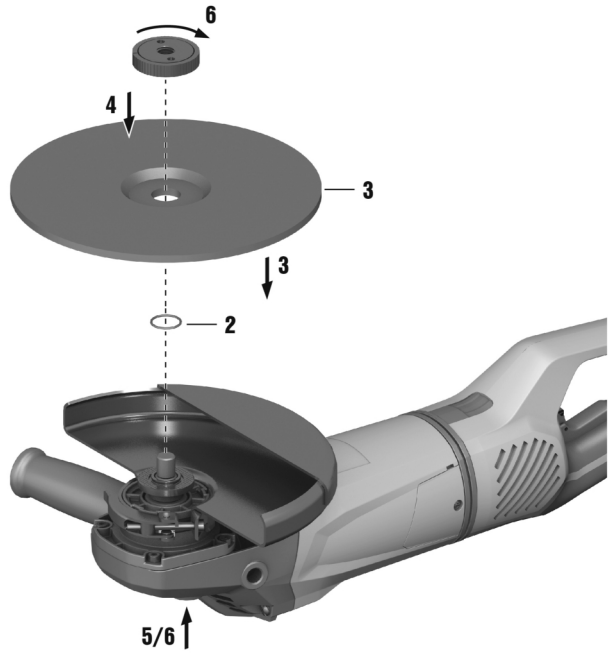
7



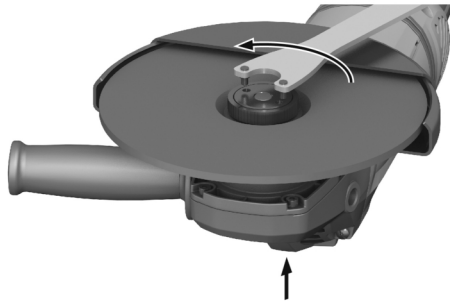
8



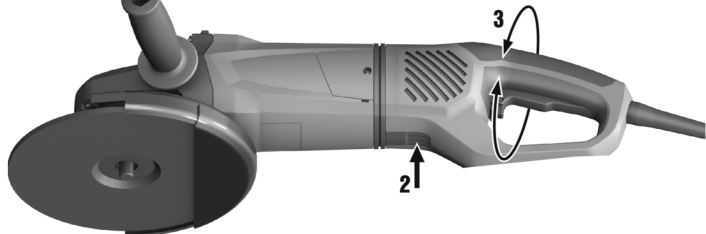
9



10



11





en Original operating instructions

Information about the operating instructions

About these operating instructions

- **Warning!** Read and understand all accompanying documentation, including but not limited to instructions, safety warnings, illustrations, and specifications provided with this product. Familiarize yourself with all the instructions, safety warnings, illustrations, specifications, components, and functions of the product before use. Failure to do so may result in electric shock, fire, serious injury or death. Save all warnings and instructions for future reference.
- products are designed for professional users and only trained, authorized personnel are permitted to operate, service and maintain the products. This personnel must be specifically informed about the possible hazards. The product and its ancillary equipment can present hazards if used incorrectly by untrained personnel or if used not in accordance with the intended use.
- The accompanying documentation corresponds to the current state of the art at the time of printing. Please always check for the latest version on the product's page on Hilti's website. To do this, follow the link or scan the QR code in this documentation, marked with the symbol
- The operating instructions must always remain ready to hand at the product. Ensure that these operating instructions are with the product when it is given to other persons.

Explanation of signs used

Warnings

Warnings alert persons to hazards that occur when handling or using the product. The following signal words are used:



DANGER !

- ▶ Draws attention to imminent danger that will lead to serious personal injury or fatality.



WARNING !

- ▶ Draws attention to a potential threat of danger that can lead to serious injury or fatality.



CAUTION !

- ▶ Draws attention to a potentially dangerous situation that could lead to personal injury or damage to the equipment or other property.

Symbols in the operating instructions

The following symbols are used in these operating instructions:

	Comply with the operating instructions
	Instructions for use and other useful information
	Cross-reference
	Dealing with recyclable materials
	Do not dispose of electric equipment and batteries as household waste

Symbols in the illustrations

The following symbols are used in illustrations:

	These numbers refer to the illustrations at the beginning of these operating instructions.
	The numbers in illustrations refer to important work steps or to components important for the work steps. In the text, the corresponding numbers draw attention to these work steps or components, e.g. (3) .
	Item reference numbers are used in the overview illustration and refer to the numbers used in the product overview section.
	This symbol is intended to draw your special attention to certain points for handling the product.

Product-dependent symbols

Symbols on the product

The following symbols are used on the product:

	Always work with both hands.
	Do not use this type of guard for cut-off operations.



	Wear eye protection
RPM	Revolutions per minute
/min	Revolutions per minute
n_0	Rated speed under no load
\varnothing	Diameter
	Protection class II (double-insulated)

Safety

General power tool safety warnings

⚠ WARNING Read all safety warnings, instructions, illustrations and specifications provided with this power tool. Failure to follow all instructions listed below may result in electric shock, fire and/or serious injury.

Save all warnings and instructions for future reference.

The term "power tool" in the warnings refers to your mains-operated (corded) power tool or battery-operated (cordless) power tool.

Work area safety

- ▶ **Keep work area clean and well lit.** Cluttered or dark areas invite accidents.
- ▶ **Do not operate power tools in explosive atmospheres, such as in the presence of flammable liquids, gases or dust.** Power tools create sparks which may ignite the dust or fumes.
- ▶ **Keep children and bystanders away while operating a power tool.** Distractions can cause you to lose control.

Electrical safety

- ▶ **Power tool plugs must match the outlet. Never modify the plug in any way. Do not use any adapter plugs with earthed (grounded) power tools.** Unmodified plugs and matching outlets will reduce risk of electric shock.
- ▶ **Avoid body contact with earthed or grounded surfaces, such as pipes, radiators, ranges and refrigerators.** There is an increased risk of electric shock if your body is earthed or grounded.
- ▶ **Do not expose power tools to rain or wet conditions.** Water entering a power tool will increase the risk of electric shock.
- ▶ **Do not abuse the cord. Never use the cord for carrying, pulling or unplugging the power tool. Keep cord away from heat, oil, sharp edges or moving parts.** Damaged or entangled cords increase the risk of electric shock.
- ▶ **When operating a power tool outdoors, use an extension cord suitable for outdoor use.** Use of a cord suitable for outdoor use reduces the risk of electric shock.
- ▶ **If operating a power tool in a damp location is unavoidable, use a residual current device (RCD) protected supply.** Use of an RCD reduces the risk of electric shock.

Personal safety

- ▶ **Stay alert, watch what you are doing and use common sense when operating a power tool. Do not use a power tool while you are tired or under the influence of drugs, alcohol or medication.** A moment of inattention while operating power tools may result in serious personal injury.
- ▶ **Use personal protective equipment. Always wear eye protection.** Protective equipment such as a dust mask, non-skid safety shoes, hard hat or hearing protection used for appropriate conditions will reduce personal injuries.
- ▶ **Prevent unintentional starting. Ensure the switch is in the off-position before connecting to power source and/or battery pack, picking up or carrying the tool.** Carrying power tools with your finger on the switch or energising power tools that have the switch on invites accidents.
- ▶ **Remove any adjusting key or wrench before turning the power tool on.** A wrench or a key left attached to a rotating part of the power tool may result in personal injury.
- ▶ **Do not overreach. Keep proper footing and balance at all times.** This enables better control of the power tool in unexpected situations.
- ▶ **Dress properly. Do not wear loose clothing or jewellery. Keep your hair and clothing away from moving parts.** Loose clothes, jewellery or long hair can be caught in moving parts.
- ▶ **If devices are provided for the connection of dust extraction and collection facilities, ensure these are connected and properly used.** Use of dust collection can reduce dust-related hazards.
- ▶ **Do not let familiarity gained from frequent use of tools allow you to become complacent and ignore tool safety principles.** A careless action can cause severe injury within a fraction of a second.

Power tool use and care

- ▶ **Do not force the power tool. Use the correct power tool for your application.** The correct power tool will do the job better and safer at the rate for which it was designed.
- ▶ **Do not use the power tool if the switch does not turn it on and off.** Any power tool that cannot be controlled with the switch is dangerous and must be repaired.
- ▶ **Disconnect the plug from the power source and/or remove the battery pack, if detachable, from the power tool before making any adjustments, changing accessories, or storing power tools.** Such preventive safety measures reduce the risk of starting the power tool accidentally.
- ▶ **Store idle power tools out of the reach of children and do not allow persons unfamiliar with the power tool or these instructions to operate the power tool.** Power tools are dangerous in the hands of untrained users.



- ▶ **Maintain power tools and accessories.** Check for misalignment or binding of moving parts, breakage of parts and any other condition that may affect the power tool's operation. If damaged, have the power tool repaired before use. Many accidents are caused by poorly maintained power tools.
- ▶ **Keep cutting tools sharp and clean.** Properly maintained cutting tools with sharp cutting edges are less likely to bind and are easier to control.
- ▶ **Use the power tool, accessories and tool bits etc. in accordance with these instructions, taking into account the working conditions and the work to be performed.** Use of the power tool for operations different from those intended could result in a hazardous situation.
- ▶ **Keep handles and grasping surfaces dry, clean and free from oil and grease.** Slippery handles and grasping surfaces do not allow for safe handling and control of the tool in unexpected situations.

Service

- ▶ **Have your power tool serviced by a qualified repair person using only identical replacement parts.** This will ensure that the safety of the power tool is maintained.

Safety instructions for all operations

Safety warnings common for grinding or cutting-off operations:

- ▶ **This power tool is intended to function as a grinder or cut-off tool. Read all safety warnings, instructions, illustrations and specifications provided with this power tool.** Failure to follow all instructions listed below may result in electric shock, fire and/or serious injury.
- ▶ **Operations such as sanding, wire brushing, polishing or hole cutting are not to be performed with this power tool.** Operations for which the power tool was not designed may create a hazard and cause personal injury.
- ▶ **Do not convert this power tool to operate in a way which is not specifically designed and specified by the tool manufacturer.** Such a conversion may result in a loss of control and cause serious personal injury.
- ▶ **Do not use accessories which are not specifically designed and specified by the tool manufacturer.** Just because the accessory can be attached to your power tool, it does not assure safe operation.
- ▶ **The rated speed of the accessory must be at least equal to the maximum speed marked on the power tool.** Accessories running faster than their rated speed can break and fly apart.
- ▶ **The outside diameter and the thickness of your accessory must be within the capacity rating of your power tool.** Incorrectly sized accessories cannot be adequately guarded or controlled.
- ▶ **The dimensions of the accessory mounting must fit the dimensions of the mounting hardware of the power tool.** Accessories that do not match the mounting hardware of the power tool will run out of balance, vibrate excessively and may cause loss of control.
- ▶ **Do not use a damaged accessory. Before each use inspect the accessory such as abrasive wheels for chips and cracks, backing pad for cracks, tear or excess wear, wire brush for loose or cracked wires. If power tool or accessory is dropped, inspect for damage or install an undamaged accessory. After inspecting and installing an accessory, position yourself and bystanders away from the plane of the rotating accessory and run the power tool at maximum no-load speed for one minute.** Damaged accessories will normally break apart during this test time.
- ▶ **Wear personal protective equipment.** Depending on application, use face shield, safety goggles or safety glasses. As appropriate, wear dust mask, hearing protectors, gloves and workshop apron capable of stopping small abrasive or workpiece fragments. The eye protection must be capable of stopping flying debris generated by various applications. The dust mask or respirator must be capable of filtering particles generated by the particular application. Prolonged exposure to high intensity noise may cause hearing loss.
- ▶ **Keep bystanders a safe distance away from work area. Anyone entering the work area must wear personal protective equipment.** Fragments of workpiece or of a broken accessory may fly away and cause injury beyond immediate area of operation.
- ▶ **Hold the power tool by insulated gripping surfaces only, when performing an operation where the cutting accessory may contact hidden wiring or its own cord.** Cutting accessory contacting a "live" wire may make exposed metal parts of the power tool "live" and could give the operator an electric shock.
- ▶ **Position the cord clear of the spinning accessory.** If you lose control, the cord may be cut or snagged and your hand or arm may be pulled into the spinning accessory.
- ▶ **Never lay the power tool down until the accessory has come to a complete stop.** The spinning accessory may grab the surface and pull the power tool out of your control.
- ▶ **Do not run the power tool while carrying it at your side.** Accidental contact with the spinning accessory could snag your clothing, pulling the accessory into your body.
- ▶ **Regularly clean the power tool's air vents.** The motor's fan will draw the dust inside the housing and excessive accumulation of powdered metal may cause electrical hazards.
- ▶ **Do not operate the power tool near flammable materials.** Sparks could ignite these materials.
- ▶ **Do not use accessories that require liquid coolants.** Using water or other liquid coolants may result in electrocution or shock.

Kickback and related warnings

Kickback is a sudden reaction to a pinched or snagged rotating wheel, backing pad, brush or any other accessory. Pinching or snagging causes rapid stalling of the rotating accessory which in turn causes the uncontrolled power tool to be forced in the direction opposite of the accessory's rotation at the point of the binding.

For example, if an abrasive wheel is snagged or pinched by the workpiece, the edge of the wheel that is entering into the pinch point can dig into the surface of the material causing the wheel to climb out or kick out. The wheel may either jump toward or away from the operator, depending on direction of the wheel's movement at the point of pinching. Abrasive wheels may also break under these conditions.

Kickback is the result of power tool misuse and / or incorrect operating procedures or conditions and can be avoided by taking proper precautions as given below.

- ▶ **Maintain a firm grip with both hands on the power tool and position your body and arms to allow you to resist kickback forces. Always use auxiliary handle, if provided, for maximum control over kickback or torque reaction during start-up.** The operator can control torque reactions or kickback forces, if proper precautions are taken.
- ▶ **Never place your hand near the rotating accessory.** Accessory may kickback over your hand.



- ▶ **Do not position your body in the area where power tool will move if kickback occurs.** Kickback will propel the tool in direction opposite to the wheel's movement at the point of snagging.
- ▶ **Use special care when working corners, sharp edges etc. Avoid bouncing and snagging the accessory.** Corners, sharp edges or bouncing have a tendency to snag the rotating accessory and cause loss of control or kickback.
- ▶ **Do not attach a saw chain woodcarving blade, segmented diamond wheel with a peripheral gap greater than 10 mm or toothed saw blade.** Such blades create frequent kickback and loss of control.

Safety warnings specific for grinding and cutting-off operations:

- ▶ **Use only wheel types that are specified for your power tool and the specific guard designed for the selected wheel.** Wheels for which the power tool was not designed cannot be adequately guarded and are unsafe.
- ▶ **The grinding surface of centre depressed wheels must be mounted below the plane of the guard lip.** An improperly mounted wheel that projects through the plane of the guard lip cannot be adequately protected.
- ▶ **The guard must be securely attached to the power tool and positioned for maximum safety, so the least amount of wheel is exposed towards the operator.** The guard helps to protect the operator from broken wheel fragments, accidental contact with wheel and sparks that could ignite clothing.
- ▶ **Wheels must be used only for specified applications. For example: do not grind with the side of cut-off wheel.** Abrasive cut-off wheels are intended for peripheral grinding, side forces applied to these wheels may cause them to shatter.
- ▶ **Always use undamaged wheel flanges that are of correct size and shape for your selected wheel.** Proper wheel flanges support the wheel thus reducing the possibility of wheel breakage. Flanges for cut-off wheels may be different from grinding wheel flanges.
- ▶ **Do not use worn down wheels from larger power tools.** A wheel intended for larger power tool is not suitable for the higher speed of a smaller tool and may burst.
- ▶ **When using dual purpose wheels always use the correct guard for the application being performed.** Failure to use the correct guard may not provide the desired level of guarding, which could lead to serious injury.

Additional safety warnings specific for cutting-off operations:

- ▶ **Do not "jam" the cut-off wheel or apply excessive pressure. Do not attempt to make an excessive depth of cut.** Overstressing the wheel increases the loading and susceptibility to twisting or binding of the wheel in the cut and the possibility of kickback or wheel breakage.
- ▶ **Do not position your body in line with and behind the rotating wheel.** When the wheel, at the point of operation, is moving away from your body, the possible kickback may propel the spinning wheel and the power tool directly at you.
- ▶ **When the wheel is binding or when interrupting a cut for any reason, switch off the power tool and hold it motionless until the wheel comes to a complete stop. Never attempt to remove the cut-off wheel from the cut while the wheel is in motion otherwise kickback may occur.** Investigate and take corrective action to eliminate the cause of wheel binding.
- ▶ **Do not restart the cutting operation in the workpiece. Let the wheel reach full speed and carefully re-enter the cut.** The wheel may bind, walk up or kickback if the power tool is restarted in the workpiece.
- ▶ **Support panels or any oversized workpiece to minimize the risk of wheel pinching and kickback.** Large workpieces tend to sag under their own weight. Supports must be placed under the workpiece near the line of cut and near the edge of the workpiece on both sides of the wheel.
- ▶ **Use extra caution when making a "pocket cut" into existing walls or other blind areas.** The protruding wheel may cut gas or water pipes, electrical wiring or objects that can cause kickback.
- ▶ **Do not attempt to do curved cutting.** Overstressing the wheel increases the loading and susceptibility to twisting or binding of the wheel in the cut and the possibility of kickback or wheel breakage, which can lead to serious injury.

Additional safety instructions

- ▶ Use the product and accessories only when they are in perfect working order.
- ▶ Never tamper with or modify the product or accessories in any way.
- ▶ Wear ear protectors. Exposure to noise can cause hearing loss.
- ▶ Always hold the product with both hands on the grips provided. Keep the grips dry, clean and free from oil and grease.
- ▶ Respiratory protection must be worn if the product is used without a dust removal system for work that creates dust.
- ▶ Take frequent breaks and do physical exercises to improve the blood circulation in your fingers. High vibration during long periods of work can lead to disorders of the blood vessels and nervous system in the fingers, hands and wrists.
- ▶ Do not touch rotating parts. Switch the product on only after it is in position at the workpiece. Touching rotating parts, especially rotating accessory tools, can result in injury.
- ▶ The product is not intended for use by debilitated persons who have received no special training. Keep the product out of reach of children.
- ▶ Dust produced by grinding, sanding, cutting and drilling can contain dangerous chemicals. Some examples are: lead or lead-based paints; brick, concrete and other masonry products, natural stone and other products containing silicates; certain types of wood, such as oak, beech and chemically treated wood; asbestos or materials that contain asbestos. Determine the exposure of the operator and bystanders by means of the hazard classification of the materials to be worked. Implement the necessary measures to restrict exposure to a safe level, for example by the use of a dust collection system or by the wearing of suitable respiratory protection. The general measures for reducing exposure include:
 - ▶ working in an area that is well ventilated,
 - ▶ avoidance of prolonged contact with dust,
 - ▶ directing dust away from the face and body,
 - ▶ wearing protective clothing and washing exposed areas of the skin with water and soap.
- ▶ The user and the other persons in the vicinity must wear suitable eye protection, a hard hat and ear protection while the product is in use.
- ▶ Risk of injury by falling tools and/or accessories. Before starting work, check that installed accessories are secure.
- ▶ Keep the air vents clear at all times. Risk of burn injuries due to blocked air vents!
- ▶ Switch the product on only after you have brought it to the working position.
- ▶ Wait until the product stops completely before you lay it down.
- ▶ Wear protective gloves when changing the accessory tool. Touching the accessory tool can result in cuts and burns.



Power tool use and care

- ▶ Abrasive wheels must be stored and handled carefully in accordance with the manufacturer's instructions.
- ▶ Never use the product without the guard.
- ▶ Secure the workpiece. Use clamps or a bench vise to hold the workpiece in position. The workpiece is thus held more securely than by hand and both hands remain free to operate the product.
- ▶ Do not use cut-off wheels for grinding.
- ▶ Tighten the accessory tool and flange securely. If the accessory tool and flange are not tightened securely, the accessory tool may work loose from the arbor due to the braking effect of the motor after switching off.
- ▶ Do not attach a belt hook to this product.

Electrical safety

- ▶ Before beginning work, check the working area for concealed electric cables or gas and water pipes. External metal parts of the product could give you an electric shock or cause an explosion if you accidentally damage an electric cable or a gas or water pipe.
- ▶ Dirty or dusty products that have been used frequently for work on conductive materials should be checked at regular intervals by **Hilti Service**. Dust (especially dust from conductive materials) or dampness adhering to the surface of the power tool may, under unfavorable conditions, lead to electric shock.

Workplace

- ▶ Apply appropriate safety measures at the opposite side of the workpiece in work that involves breaking through. Pieces of debris could drop out and / or fall down and injure other persons.
- ▶ Slits cut in load-bearing walls of buildings or other structures may influence the statics of the structure, especially when steel reinforcing bars or load-bearing components are cut through. Consult the responsible structural engineer, architect or person in charge of the building project before beginning the work.

Additional notes on the use of the guards

To avoid the risks below always use the correct guard, see the section headed: "Suitability of wheels for the equipment used".

- ▶ If the guard closed on both sides is used for surface grinding, the guard can touch the workpiece and thus lead to loss of control.
- ▶ If a wire brush of a thickness exceeding the maximum permissible thickness is used, the wires can snag on the guard and break.
- ▶ When the guard for cutting/grinding metal with an abrasive cut-off wheel is used, there is an increased risk of exposure to sparks and particles and to wheel fragments if the wheel breaks.
- ▶ If the standard guard is used with or without front cover for cutting or for grinding concrete or masonry, there is a higher dust load and an increased risk of losing control of the product, which can lead to kickbacks.

Description

Product overview

	Spindle lock button		Kwik lock clamping nut (optional)
	Threaded socket for grip		Cut-off wheel
	Steadying rib		Guard
	On/off switch		Clamping lever
	Safety trigger		Adjusting screw
	Auxiliary handle		Spindle
	Pin wrench		Clamping flange (attached to the power tool)
	Clamping nut		Unlocking button (for pivotable grip)

Intended use

The product described is a hand-held electric angle grinder. It is designed for cutting and grinding metal and mineral materials without use of water. It may be used only for dry cutting / grinding.

The tool may be operated only when connected to a power supply providing a voltage and frequency in compliance with the information given on its type plate.

- The power tool may be used for cutting, slitting and grinding mineral materials only when equipped with the corresponding guard (optional accessory).
- A dust removal hood together with a suitable **Hilti** vacuum cleaner must be used for working on mineral materials such as concrete or stone.

Items supplied

Angle grinder, guard, auxiliary handle, clamping flange, clamping nut, pin wrench, operating instructions.

You can find other system products approved for your product at your local **Hilti Center** or online at: www.hilti.group

Starting current limitation

The electronic starting current limiter reduces the starting current drawn by the power tool and thus prevents the mains fuse blowing. It also allows the power tool to start smoothly, without a jolt.

Constant-speed electronics

Electronic speed control keeps running speed almost constant irrespective of whether the power tool is idling or running under load. Constant running speed helps ensure maximum efficiency.

Active Torque Control (ATC)

The electronics detect potential stalling of the disc and prevent further rotation of the arbor by switching off the tool.

If the ATC system has been triggered, restart the tool. Do this by releasing the on/off switch and then pressing it again.



If the ATC system malfunctions, the power tool will run only at greatly reduced speed and with greatly reduced torque. Have the tool checked by **Hilti Service**.



Integrated brake

The integrated brake reduces the time it takes until the accessory tool stops rotating after switching off.



This functions correctly only as long as the power tool is connected to the electric supply.

Current-dependent overload protection

The current-dependent motor overload protection system monitors current input and thus protects the tool from overloading.

If the motor is overloaded through application of excessive working pressure, the power tool's performance drops noticeably or it may stall completely. A standstill should be avoided.

Standard guard for cutting/grinding

For grinding with grinding wheels and for cutting off with cut-off wheels, use the standard guard for cutting/grinding.

Guard (accessory)

For grinding with grinding wheels, use this guard.

Double sided cutting guard (accessory)

When grinding with straight grinding wheels and cutting with cut-off wheels in metalworking applications, use the guard closed on both sides.

DC-EX 230/9" dust hood for cutting, with carriage (accessory)

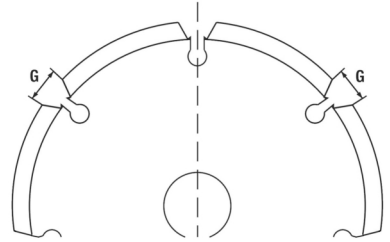
The power tool may be used for cutting and slitting work on mineral materials only when fitted with a dust hood.

CAUTION Use of this hood for working on metal is prohibited.

Dimensions and format of suitable diamond slitting wheels

Diamond slitting wheels must meet the following requirements in terms of dimensions and format.

Technical data	
Slot width between segments (G)	≤ 10 mm
Cutting angle	Negative



Consumables

Only synthetic resin-bonded, fiber-reinforced discs with a maximum diameter of Ø 230 mm which are approved for use at a rotational speed of at least 6500/min and a peripheral speed of 80 m/s may be used.

ATTENTION! When cutting or slitting with abrasive cut-off wheels always use the guard with cover plate, or a fully enclosing dust hood.

Wheels

	Application	Designation	Material	max. thickness	max. diameter
Abrasive cut-off wheel	Cutting, slitting	AC-D	Metal	2.5 mm	230 mm
Diamond cut-off wheel	Cutting, slitting	DC-D	Mineral	3 mm	230 mm
Abrasive grinding disc	Rough grinding	AG-D	metal	6.4 mm	230 mm

Suitability of wheels for the equipment used

Item	Equipment	AC-D	AG-D	DC-D
A	Standard guard for cutting/grinding	X	X	X
B	Guard	—	X	—
C	Double sided cutting guard	X	—	X
D	DC-EX 230/9" dust hood for cutting	—	—	X
E	Auxiliary handle	X	X	X
F	DC BG 230/9" spade grip (optional for E)	X	X	X
G	Clamping nut	X	X	X
H	Clamping flange	X	X	X
I	Kwik lock (optional for G)	X	X	X

Technical data

Angle grinder



For rated voltage, frequency, current and input power, please refer to the country-specific type identification plate.



If the device is powered by a generator or transformer, the generator or transformer's power output must be at least twice the rated input power shown on the type identification plate of the device. The operating voltage of the transformer or generator must always be within +5% and -15% of the rated voltage of the device.

	AG 230-27DB
Product generation	04
Rated speed	6,500 /min
Maximum disc diameter	230 mm
Thread diameter	M14
Thread length	22 mm
Weight	6.8 kg

Noise information and vibration values in accordance with 62841


The sound pressure and vibration values given in these instructions were measured in accordance with a standardized test and can be used to compare one power tool with another. They can also be used for a preliminary assessment of exposure.

The data given represent the main applications of the power tool. However, if the power tool is used for different applications, with different accessory tools, or is poorly maintained, the data can vary. This can significantly increase exposure over the total working period.

An accurate estimation of exposure should also take into account the times when the power tool is switched off, or when it is running but not actually being used for a job. This can significantly reduce exposure over the total working period.

Identify additional safety measures to protect the operator from the effects of noise and/or vibration, for example: maintaining the power tool and accessory tools, keeping the hands warm, organization of work patterns.

Grinding thin sheet metal or other large-area structures prone to vibration can lead to increased noise emissions higher than the stated noise emission values. You can reduce the noise emissions produced in this way by adopting noise-reducing measures such as the application of heavy, flexible insulating mats. Always take these increased values into consideration as well in the hazard assessment of noise exposure and in the choice of suitable hearing protection.

 Detailed information on the versions of the **EN 62841** standards applied here is to be found in the reproduction of the declaration of conformity.

Noise emission values

	AG 230-27DB
Sound power level (L_{WA})	104 dB(A)
Uncertainty for the sound power level (K_{WA})	3 dB(A)
Emission sound pressure level (L_{pA})	96 dB(A)
Uncertainty for the sound pressure level (K_{pA})	3 dB(A)

Total vibration

Other applications, such as cutting, may produce vibration values that deviate from the given values.

	AG 230-27DB
Surface grinding with the vibration-absorbing side handle ($a_{h,AG}$)	6.3 m/s^2
Uncertainty (K_a)	1.5 m/s^2

Operation

Operation

WARNING

Damaged power cords are a safety hazard! If the supply cord or extension cord is damaged while work is in progress, immediately disconnect the device and the cord from the electricity supply. Do not touch the damaged part of the cord.

- ▶ Regularly check all supply cords. Replace defective extension cords. Have damaged power cords replaced by a qualified specialist.

Use of a ground fault circuit interrupter (residual current device, RCD) with a maximum tripping current of 30 mA is recommended.

Preparations at the workplace

CAUTION

Risk of injury! Inadvertent starting of the product.

- ▶ Unplug the supply cord before making adjustments to the power tool or before changing accessories.

Observe the safety instructions and warnings in this documentation and on the product.

Installing the auxiliary grip


- ▶ Screw the auxiliary handle into one of the threaded bushings provided.

Guard or guard with cover plate


- ▶ Observe the instructions for fitting the applicable guard.



Fitting the guard or guard with cover plate

 The keying on the guard ensures that only a guard designed for use with the power tool can be fitted. The keyed locating lug also prevents the guard from coming into contact with the disc.

1. Release the clamping lever.
2. Fit the guard onto the arbor collar so that the keyed locating lug engages in the recess provided.
3. Rotate the guard into the desired position.
4. Secure the guard by closing the clamping lever.

 The guard is already set to the correct tension by way of the adjusting screw. If the tension is too low when the guard is fitted, the adjusting screw can be tightened slightly to increase the tension.

Adjusting the guard or guard with cover plate

1. Release the clamping lever.
2. Rotate the guard to the required position.
3. Secure the guard by closing the clamping lever.

Removing the guard


1. Release the clamping lever.
2. Rotate the guard until the keyed locating lug is aligned with the keyed locating groove and then remove the guard.

Fitting and removing accessory tools

CAUTION

Risk of injury. The accessory tool may be hot.

- ▶ Wear protective gloves when changing the accessory tool.

 Diamond discs must be replaced when their cutting or grinding performance drops significantly. This generally is the case when the diamond segments reach a height of less than 2 mm (1/16").

Other discs must be replaced when their cutting performance drops significantly or other parts of the angle grinder (not the disc) come into contact with the material you are working on.

Abrasive discs must be replaced when their expiry date has been reached.

Fitting an accessory tool

1. Disconnect the supply cord plug from the power outlet.
2. Clean the clamping flange and the clamping nut.
3. Check that the O-ring is in place in the clamping flange and that it is undamaged.

Result

The O-ring is damaged.

There is no O-ring in the clamping flange.

- ▶ Replace the O-ring.
4. Fit the accessory tool.
 5. Screw on the clamping nut corresponding to the type of accessory tool fitted.
 6. Press and hold down the arbor lockbutton.
 7. Use the pin wrench to tighten the clamping nut securely, then release the arbor lockbutton and remove the wrench.

Removing the accessory tool

1. Disconnect the supply cord plug from the power outlet.

WARNING

Risk of breakage and irreparable damage. If the spindle lockbutton is pressed while the spindle is rotating, the accessory tool can detach from the power tool.


- ▶ Press the spindle lockbutton only when the spindle has stopped rotating.
2. Press the arbor lockbutton and hold it in this position.
 3. Release the clamping nut by gripping it with the pin wrench and turning the nut counterclockwise.
 4. Release the arbor lockbutton and remove the accessory tool.

Fitting an accessory tool secured with a **Kwik lock nut**

WARNING

Risk of breakage. Heavy wear (abrasion) may cause the **Kwik lock** nut to break.

- ▶ When working with the power tool, make sure that the **Kwik lock** nut doesn't come into contact with the working surface.
- ▶ Do not use a damaged **Kwik lock** nut.

 The optional **Kwik lock** nut can be used instead of the standard clamping nut. Accessory tools (discs etc.) can then be changed without need for additional tools (keyless system).

1. Disconnect the supply cord plug from the power outlet.
2. Clean the clamping flange and the quick-release clamping nut.



3. Check that the O-ring is in place in the clamping flange and that it is undamaged.

Result

The O-ring is damaged.

There is no O-ring in the clamping flange.

- ▶ Replace the O-ring.

4. Fit the accessory tool.
5. Screw on the **Kwik lock** nut until it is seated against the accessory tool.
 - ▶ The name **Kwik lock** should be visible when the nut is screwed on.
6. Press the arbor lockbutton and hold it in this position.
7. Turn the accessory tool firmly by hand in a clockwise direction until the **Kwik lock** nut is tightened securely and then release the arbor lockbutton.

Removing an accessory tool secured with a Kwik lock nut 10

1. Disconnect the supply cord plug from the power outlet.

WARNING

Risk of breakage and irreparable damage. If the spindle lockbutton is pressed while the spindle is rotating, the accessory tool can detach from the power tool.

- ▶ Press the spindle lockbutton only when the spindle has stopped rotating.

2. Press and hold down the spindle lock button.
3. Release the **Kwik lock** nut by turning it counterclockwise by hand.
4. If the **Kwik lock** nut cannot be released by turning it by hand, use a pin wrench to turn the nut in a counterclockwise direction.



Never use a pipe wrench! A pipe wrench could damage the **Kwik lock** nut.

5. Release the arbor lockbutton and remove the accessory tool.

Adjusting the side handle 11

WARNING

Risk of injury. If the grip position is adjusted while the tool is in operation it is no longer possible to hold the tool in a stable position, resulting in a risk of accident.

- ▶ Do not, under any circumstances, attempt to adjust the grip while the tool is running.
- ▶ Check to ensure that the grip is engaged in one of the three possible positions.

1. Disconnect the supply cord plug from the power outlet.
2. Press the unlocking button.
3. Pivot the grip to the left or right as far as it will go.
4. Release the unlock button and move the grip until it engages in position.

Grinding

CAUTION

Risk of injury. The accessory tool may suddenly stick or stall.

- ▶ Use the product with the auxiliary handle fitted and always hold the product securely with both hands.

Cutting

- ▶ When cutting, apply moderate feed pressure and do not tilt the power tool or the cut-off wheel (when working, hold at approx. 90° to the surface being cut).



For best results when cutting profiles and square tube, start cutting at the smallest cross section.

Rough grinding

WARNING

Risk of injury. The abrasive cut-off wheel could shatter and flying fragments may cause injury.

- ▶ Never use abrasive cut-off wheels for grinding.
- ▶ Move the power tool to and fro while maintaining a 5° to 30° angle of attack and applying moderate pressure.
 - ▶ This will avoid overheating and discoloration of the workpiece and help ensure an even surface finish.

Switching on 12

1. Plug the supply cord into the power outlet.
2. Press the safety interlock to unlock the on/off switch.
3. Press the on/off switch as far as it will go.
 - ▶ The motor runs.



Switching off

- ▶ Release the on/off switch.

Care and maintenance**Care****DANGER**

Electrical hazards. Improper repairs and maintenance on electrical parts as well as improper and insufficient cleaning may lead to serious injuries.

- ▶ Electrical parts may be repaired only by trained electrical specialists.
- ▶ Never operate the product when the air vents are blocked.
- ▶ Do not use spray, steam pressure cleaning equipment or running water for cleaning.
- ▶ Keep the product, especially the grips, dry, clean and free from oil and grease.

**WARNING**

Electrical hazards. Frequent operation in environments where conductive materials are present (e.g. metals, carbon fiber, mineral particulates) may cause hazardous buildup inside the tool. This can lead to electrical malfunction or injury.

- ▶ Users are responsible for determining appropriate cleaning and maintenance intervals based on their specific work conditions, in accordance with workplace safety protocols and applicable regulations.
- ▶ Do not allow foreign objects to enter the interior of the product.
- ▶ Clean the air vents carefully using a dry brush.
- ▶ Use dry, clean cloth to clean the gripping areas of the product.
- ▶ Clean the outer surfaces of the machine regularly using only slightly damp cloth.
- ▶ Only mild dish soap and water applied with a damp rag may be used to clean the tool. Do not soak or immerse the tool in water. Do not use aggressive solvents, penetrating oils, or unknown cleaning agents, as these may damage plastic components or impair tool performance.
- ▶ Frequent work on conductive materials (e.g. metal, carbon fiber) may make shorter maintenance intervals necessary. Take your individual workplace risk assessment and national regulations/occupational health and safety requirements into account.



For New Zealand / Australia: Use of a ground fault circuit interrupter (residual current device, RCD) with a maximum tripping current of 30 mA is recommended.

Maintenance

- Check all visible parts and controls for signs of damage at regular intervals and make sure that they all function correctly.
- Do not use the product if signs of damage are found or if parts malfunction. Immediately have the product repaired by Hilti Service.
- After cleaning and maintenance, install all guards and protective devices and check that they are in full working order.



To help ensure safe and reliable operation, use only genuine Hilti spare parts and consumables. Spare parts, consumables and accessories approved by Hilti for use with your product can be found at your **Hilti Store** or online at: www.hilti.group

Checks after care and maintenance work

- ▶ After carrying out care and maintenance, check that all protective and safety devices are fitted and that they function faultlessly.

Transport and storage**Transport**

- ▶ Do not transport this product with an accessory tool installed.
- ▶ Make sure that the equipment is held securely throughout all transport operations.
- ▶ After transporting, always check all visible parts and controls for signs of damage and make sure that they all function correctly.

Storage

- ▶ Always store this product with the electric supply cable unplugged from the electricity supply.
- ▶ Store this product in a dry place, where it cannot be accessed by children or unauthorized persons.
- ▶ After a long period of storage, always check all visible parts and controls for signs of damage and make sure that they all function correctly.

Troubleshooting

If the trouble you are experiencing isn't listed in this table or you are unable to remedy the problem by yourself, please contact **Hilti Service**.

Trouble or fault	Possible cause	Action to be taken
The tool doesn't start.	Interruption in the electric supply.	▶ Plug in another power tool or appliance and check whether it works.
	The supply cord or plug is defective.	▶ Have the supply cord and plug checked by a trained electrical specialist and replaced if necessary.
	The carbon brushes are worn.	▶ Have the power tool checked by a trained electrical specialist and the carbon brushes replaced if necessary.
	The restart interlock is active after disconnection or an interruption in the electric supply.	▶ Switch the power tool off and then on again.
The tool doesn't work.	The tool has been overloaded.	▶ Release the on/off switch and then press it again. Then allow the power tool to run under no load for approx. 30 seconds.



Trouble or fault	Possible cause	Action to be taken
The tool does not achieve full power.	The extension cord conductor cross section (gauge) is inadequate.	▶ Use an extension cord with an adequate conductor cross section.
	Malfunction in the ATC system.	▶ Have the product repaired by Hilti Service.

Disposal

Most of the materials from which **Hilti** tools and appliances are manufactured can be recycled. The materials must be correctly separated before they can be recycled. In many countries, your old tools, machines or appliances can be returned to **Hilti** for recycling. Ask **Hilti** Service or your **Hilti** representative for further information.



- ▶ Do not dispose of power tools, electronic equipment or batteries as household waste!

Manufacturer's warranty

- ▶ Please contact your local **Hilti** representative if you have questions about the warranty conditions.

Further information

For more information on operation, technology, environment, RoHS declaration (markets in China and Taiwan only) and recycling, follow this link: qr.hilti.com/manual/?id=2157196&id=2157197

This link is also to be found in these operating instructions in the form of a QR code, indicated by the symbol .



he הוראות הפעלה מקוריות

מידע על הוראות הפעלה על הוראות הפעלה אלו

- אזהרה!** לפני השימוש במוצר יש לקרוא ולהבין את הוראות הפעלה המצורפות למוצר, כולל ההערות, הוראות הבטיחות והאזהרות, האיומים והמפרטים. יש ללמוד במיוחד את כל הוראות הבטיחות, האזהרות, המפרטים והפונקציות השונות של המוצר. התעלמות מהנחיה זו מובילה לסכנת התחשמלות, שריפה, פציעות קשות או מוות. שמור את הוראות הפעלה, כולל כל הוראות הבטיחות והאזהרות לצורך שימוש בעתיד.
- המוצרים של **HILTI** מיועדים למשתמש המקצועי, ורק אנשים מורשים, שעברו הכשרה מתאימה, רשאים לתפעל, לתחזק ולתקן אותם. אנשים אלה חייבים ללמוד באופן מיוחד את הסכנות האפשריות. המוצר המתואר והעדרים שלו עלולים להיות מסוכנים כאשר אנשים שלא עברו הכשרה מתאימה משתמשים בהם באופן לא מקצועי או כאשר משתמשים בהם שלא בהתאם ללייזר.
- הוראות הפעלה המצורפות נכתבו בהתאם לידעיות הטכנולוגיות במועד השליחה לדפוס. אם הגרסה העדכנית ביותר אפשר למצוא תמיד בדף המוצר של Hilti. כדי להגיע לשם, יש לפרוק את קוד ה-QR בהוראות הפעלה האלה, מסומן בסמל .
- הוראות הפעלה צריכות להישאר בהישג יד תמיד. אם אתה מעביר את המוצר לאדם אחר, מסור לו גם את הוראות הפעלה האלה.

הסבר הסיכונים

אזהרות

האזהרות מהירות מפני סכנות בשימוש במוצר. במדריך זה מופיעות מילות המפתח הבאות:



סכנה

! סכנה

מציינת סכנה מיידי, המובילה לפציעות גוף קשות או למוות.



אזהרה

! אזהרה

מציינת סכנה אפשרית, שיכולה להוביל לפציעות גוף קשות או למוות.



זהירות

! זהירות

מציינת מצב שעלול להיות מסוכן ולהוביל לפציעות גוף או לנזקים לרכוש.

סמלים בהוראות הפעלה

הסמלים הבאים מופיעים בהוראות הפעלה אלה:

שם לב להוראות הפעלה	
הנחיות לשימוש ומידע שימושי נוסף	
הפניה צולבת	
טיפול נכון בחומרים לשימוש חוזר	
אין להשליך לפסולת הביתית מכשירים חשמליים וסוללות	

סמלים באיומים

הסמלים הבאים משמשים באיומים:

מספרים אלה מפנים לאזור המתאים בתחילת הוראות הפעלה אלה.	2
המספרים באיומים מפנים לשלבי עבודה חשובים או לרכיבים שחשובים לשלבי העבודה. שלבי עבודה אלה או רכיבים אלה מודגשים בטקסט במספרים מתאימים, לדוגמה (3).	3
מספרי הפרטים מופיעים באזור סקירה ותואמים את המספרים במקרא בפרק סקירת המוצר .	(11)
סימן זה אמור לעורר את תשומת לבך המיוחדת בעת השימוש במוצר.	!

סמלים ספציפיים למוצר

סמלים על המוצר

הסמלים הבאים מופיעים על המוצר:

עבוד תמיד בשתי ידיים.	
אין להשתמש במגני דיסק מסוג זה לעבודות חיתוך.	
השתמש במגני עיניים	



RPM	סיבובים לדקה
/min	סיבובים לדקה
n_0	מהירות סרוק נקובה
\emptyset	קוטר
	דירוג הגנה II (בידוד כפול)

בטיחות

הוראות בטיחות כלליות לעבודה חשמלית

⚠ אזהרה קרא את כל הוראות הבטיחות, ההנחיות, האיורים והנתונים הטכניים המצורפים לכלי העבודה החשמלי. אי ציות להנחיות עלול להוביל להתחשמלות, לשרפה ו/או לפציעות קשות.

שמור את כל הוראות הבטיחות וההנחיות לעיון בעתיד.

המונח "כלי עבודה חשמלי" המשמש בהוראות הבטיחות מתייחס לכלי עבודה חשמליים המחוברים לרשת החשמל (עם כבל חשמל) או לכלי עבודה חשמליים המופעלים באמצעות סוללה טעונה (ללא כבל חשמל).

בטיחות במקום העבודה

- **שמור על אזור העבודה שלך כקי וזג לתאורה מספקת.** חוסר סדר או תאורה לקויה במקום העבודה עלולים לגרום לתאונות.
- **אין להפעיל את כלי העבודה החשמלי בסביבה שקיימת בה סכנת פיצוץ או שישנם בה נדולים, גזים או אבק דליקים.** כלי עבודה חשמליים יוצרים ביצוצות, שעלולים להצית את האבק או האדים.
- **הרחק ילדים ואנשים אחרים מכלי העבודה החשמלי במהלך השימוש בו.** אם דעתך תוסח אתה עלול לאבד את השליטה במכשיר.

בטיחות בחשמל

- **הקע החשמל של כלי העבודה החשמלי חייב להתאים לשקע החשמל.** אסור לנכות בשום אופן את הקע החשמל. אל תשתמש בשקע מתאם ביחד עם כלי עבודה חשמליים הכוללים הגנת הארקה. שימוש בתקעים חשמליים שלא עברו שינוי ושקעי חשמל מתאימים מפחית את הסיכון להתחשמלות.
- **מנע מגע של הגוף בשטחים מוארקים כגון צינורות, גופי חימום, תנורים ומקררים.** קיימת סכנה גבוהה להתחשמלות כאשר הגוף שלך מוארק.
- **הרחק כלי עבודה חשמליים מגשם או רטיבות.** חדירת מים לכלי העבודה החשמלי מגדילה את הסיכון להתחשמלות.
- **אל תשתמש בכלל החשמל למטרות שלא לשמן הוא נועד, לדוגמה: אל תרים את כלי העבודה החשמלי באמצעות הכבל ואל תנסה לנתק את התקע משקע החשמל במשיכה מהכבל.** הרחק את הכבל מחום, שמן, פינות חדות או מחלקים נעים. כבלים שניזוקו או שהסתכנו בחלקים אחרים מגדילים את הסיכון להתחשמלות.
- **כאשר אתה עובד עם כלי העבודה החשמלי בחוץ, השתמש רק בכבל מאריך המיועד לשימוש חיצוני.** שימוש בכבל מאריך המתאים לשימוש חיצוני מפחית את הסיכון להתחשמלות.
- **אל לא ייתן להימנע משימוש בכלי העבודה החשמלי בסביבה לחה, השתמש במסר פחת.** השימוש במסר פחת מפחית את הסיכון להתחשמלות.

בטיחות של אנשים

- **היה ערני, שים לב למה שאתה עושה, ופעל בתבונה כאשר אתה עובד עם כלי עבודה חשמלי.** אל תפעיל כלי עבודה חשמליים כשאתה עייף או תחת השפעת סמים, אלכוהול או תרופות. די ברגע אחד של חוסר תשומת-לב בזמן השימוש בכלי העבודה החשמלי כדי לגרום פציעות קשות.
- **לבש תמיד ציוד מגן ומשקפי מגן.** לבישת ציוד מגן אישי, כגון מסכת אבק, נעלי בטיחות מונעות החלקה, קסדת מגן או מגני שמיעה – בהתאם לסוג השימוש בכלי העבודה החשמלי – מקטינה את הסיכון לפציעות.
- **מנע הפעלה בשוגג.** ודא שכלי העבודה החשמלי כבוי לפני שאתה מחבר אותו לאספקת החשמל ו/או לפני שאתה מחבר את הסוללה ולפני הרמתו. אל תניח את אצבעך על המתג בזמן שאתה נושא את המכשיר ואל תחבר אותו לאספקת החשמל כאשר הוא מופעל, אחרת עלולות להיגרם תאונות.
- **הרחק כל כוונות או מפתחות ברגים לפני שאתה מפעיל את כלי העבודה החשמלי.** כלי עבודה או מפתחות הנמצאים בקרבת חלקים מסתובבים עלולים לגרום פציעות.
- **הימנע מתנוחות גוף לא נכונות.** עמוד באופן יציב ושמור תמיד על שיווי משקל. כך תוכל לשלוט טוב יותר בכלי העבודה החשמלי במצבים לא צפויים.
- **לבש בגדים מתאימים.** אל תלבש בגדים רחבים או תכשיטים. הרחק את השער, הבגדים וכפפות מחלקים נעים. בגדים רופפים, תכשיטים ושעיר ארוך עלולים להיתפס בחלקים נעים.
- **כאשר ייתן להתקין התקני שאיבת אבק ולכידה יש לוודא שהם מחוברים לחשמל, ויש להקפיד להשתמש בהם בצורה נכונה.** שימוש בהתקן שאיבת אבק מקטין את הסכנות הנובעות מהאבק.
- **אל תהיה שאנן בנושאי בטיחות ואל תתעלם מהוראות בטיחות של כלי עבודה חשמליים, גם אם שהשתמשת במכשיר פעמים רבות ואתה מכיר אותו היטב.** התנהגות רשלנית עלולה להוביל לפציעות קשות בתוך שניות.

שימוש וטיפול בכלי העבודה החשמלי

- **אל תפעיל עומס רב מדי על החשמלי.** השתמש בכלי העבודה החשמלי המתאים לעבודה שאתה מנצע. כלי העבודה החשמלי המתאים מבטיח לך עבודה טובה ובטוחה יותר בתחום ההספק הנקוב.
- **אל תשתמש בכלי העבודה אם המתג שלו אינו תקין.** כלי עבודה חשמלי שלא ייתן עוד להפעיל או לכבות אותו מהווה סכנה ויש לתקנו.
- **נתק את הקע החשמל מהשקע ו/או הסר את הסוללה לפני שאתה מנצע כוונות במכשיר, מחליף כלים או לאחר שאתה מפסיק לעבוד עם המכשיר.** אמצעי זהירות זה מונע הפעלה בשוגג של כלי העבודה החשמלי.
- **שמור כלי עבודה חשמליים שאינם בשימוש הרחק מיהיש ידם של ילדים.** אל תאפשר לאנשים שאינם יודעים כיצד להשתמש במכשיר או שלא קראו את ההוראות להשתמש במכשיר. כלי עבודה חשמליים הם מסוכנים כאשר משתמשים בהם אנשים חסרי ניסיון.
- **טפל בכלי עבודה חשמליים ובאביזרים בהקפדה.** בדוק אם החלקים הנעים פועלים בצורה חלקה ואינם נתקעים, אם ישנם חלקים שבורים או מקולקלים המשבשים את הפעולה התקינה של כלי העבודה החשמלי. לפני השימוש במכשיר דאג לתיקון חלקים לא תקינים. תאונות רבות נגרמו עקב תחזוקה לקויה של כלי עבודה חשמליים.
- **שמור על כלי החיתוך חדים ונקיים.** כלי חיתוך מטופלים היטב, שלהייהם חדים נתקעים פחות וקלים יותר לתפעול.
- **השתמש בכלי העבודה החשמלי, באביזרים, בכלי העבודה הנוספים וכן הלאה בהתאם להוראות אלה.** התחשב בתנאי העבודה ובפעולה שעליך לבצע. שימוש בכלי העבודה החשמלי למטרות אחרות מאלה שלשמן הוא מיועד עלול להיות מסוכן.



- שמור על ידיות ואזורי אחיזה בקיים מכלולן משומן ומגריד. ידיות ואזורי אחיזה חלקיים אינם מאפשרים תפעול בטוח ושליטה טובה בכלי העבודה החשמלי במצבים לא צפויים.
- שירות
- דאג לתיקון כלי העבודה החשמלי שלך רק בידי טכנאים מוסמכים, המשתמשים בחלקי חילוף מקוריים בלבד. כך תבטיח שמירה על בטיחות העבודה במכשיר.
- הנחיות בטיחות לכל העבודות
- הנחיות בטיחות משותפות להשחזה ולחיתוך בדיסק:
 - כלי עבודה חשמלי זה מיועד לשימוש ככלי ליתוש והשחזה וככלי חיתוך. שים לב לכל הנחיות הבטיחות, ההוראות, האיומים והנתונים שקיבלת עם המכשיר. אם התעלם מהנחיות הבטוח, התוצאה עלולה להיות התחשמלות ו/או פציעות קשות.
 - אסור להשתמש בכלי עבודה חשמלי זה לליתוש באמצעות בירר לטש, לעבודות עם מברשות ברזל, להברקה או לחיתוך חורים. שימוש במכשיר שלא למטרה שלשמה הוא יועד מהווה סכנה ועלול לגרום לפציעות.
 - אל תשנה את כלי העבודה החשמלי הזה כך שהוא יתפקד באופן שונה מכפי שקבע במפורש על ידי יצרן כלי העבודה. שינוי מעין זה עלול להוביל אובדן השליטה בכלי ולפציעות קשות.
 - אין להשתמש באברדים שלא פותחו ואושרו על ידי היצרן במיוחד לשימוש בכלי עבודה חשמלי זה. העבודה שאפשר לחבר את האבדור לכלי העבודה החשמלי אינה מבטיחה שהשימוש בו יהיה בטוח.
 - מהירות הסיבוב המותרת של הכלי המחובר חייבת להיות גבוהה לפחות כמו המהירות המרבית המצוינת על כלי העבודה החשמלי. כלי מחובר שמסתובב מהר מהמותר עלול להישרר ולהזיק בחלל.
 - הקוטר החיצוני והעובי של הכלי המחובר חייבים להתאים לנתונים הדרושים לכלי העבודה שלך. אברדים במידות לא מתאימות עלולים להיות לא מוגנים מספיק או לעבוד ללא שליטה.
 - כלים בעלי חיבור עם חבריג חייבים להתאים בדיוק לתבריג שבציר המשתחזת. בכלים הדרושים התקנה באמצעות אוגן, חייב קוטר הקדח של הכלי להתאים לקוטר הכניסה של האוגן. לים שאינם מחוברים בצורה מדויקת לכלי העבודה החשמלי יסתובבו בצורה לא חלקה, ירעזו חזק מאוד ועלולים לגרום לאבדן שליטה על כלי העבודה.
 - אין להשתמש בכלים פגומים. לפני כל שימוש באבדור כגון דיסק השחזה בצע בדיקה לאיתור שברים וסדקים, שחיקה או בלאי מוגבר, בדוק מברשות ברזל לאיתור חוטי ברזל שעשורים או שבורים. אם כלי העבודה או האבדור נופלים, בדוק אם הם נידקו או השתמש במקום זאת באבדור שלא נידקו. לאחר שבדקת את הכלי וחברת אותו, הרחק עצמך ואנשים הנמצאים בקרבת מקום אל מחוץ למישור התנועה של הכלי המסתובב, ואפשר למכשיר לעבוד דקה שלמה במהירות מרבית. אברדים פגומים יישרו בדרך כלל במשך דקת הבדיקה.
 - לבש ציוד מגן אישי. השתמש – בהתאם לסוג העבודה – במגפיים מלאי. לבש מסכת אבק, מגבי שמיעה, כפפות מגן או סינר מיוחד שיגן עליך מפני חלקיקי חומר – בהתאם לצורך. יש להגן על העיניים מפני גופים זרים שעפים בחלל, כפי שעלול להתרחש בעבודות מסוימות. מסכת אבק ומסכת השימה צריכות לטכן אבק שנוצר במהלך השימוש. חשיפה ממושכת לרעש חזק עלולה לפגוע בשמיעה.
 - ודא שאנשים אחרים עומדים במרחק בטוח מאזור העבודה. כל מי שנכנס לאזור העבודה חייב ללבוש ציוד מגן אישי. חלקים הנשברים מהחומר שבעבודה או שברים מהאבדור עלולים להתעופף בחלל ולגרום לפציעות גם מחוץ לאזור העבודה המידר.
 - כאשר אתה מנעב עבודות שבתוך הכלי המחובר עלול לפגוע בקווי חשמלי מוסתרים או בכלל החשמל של המכשיר אחוז בכלי העבודה החשמלי רק במקומות האחידה המבודדים. מגע בקווים המוליכים זרם עלול להעביר זרם גם לחלקים מתכתיים במכשיר שלך ולגרום להתחשמלות.
 - הרחק את כבל החשמל מהכלים המסתובבים. אם תאבד את השליטה במכשיר עלול כבל החשמל לחיתוך או להיתפס, וכך היד או הזרוע שלך עלולות להיפגע מהכלי המסתובב.
 - לעולם אין להניח את כלי העבודה החשמלי לפני שהכלי המחובר נעצר. כלי מסתובב עשוי להיתקל במשטח שעליו הוא מונח, ובעקבות זאת כלי העבודה החשמלי עלול לנוע ללא שליטה.
 - אל תאפשר לכלי העבודה החשמלי לפעול אם אינך מחזיק אותו. הבגדים שלך עלולים להיתפס בכלי המסתובב, ובעקבות זאת הכלי עלול לחתוך בגופך.
 - נקה באופן סדיר את חריצי האוויר של כלי העבודה החשמלי שלך. מפוח המנוע מושך אבק לגוף המכשיר, והצטברות כמות גדולה של אבק מתכתי מהווה סכנה חשמלית.
 - אין להשתמש בכלי העבודה החשמלי בקרבת חומרים דליקים. ניצוץ עלולים להצית אותם.
 - אין להשתמש באברדים הדרושים חומרי קירור נוזליים. שימוש במים או בחומרי קירור נוזליים אחרים עלול לגרום להתחשמלות.
- רתע והנחיות בטיחות מתאימות
- רתע הוא תגובה פתאומית עקב היתקעות או חסימה של כלי מסתובב, כגון דיסק השחזה, דיסק ליתוש, מברשת ברזל וכן הלאה. היתקעות או חסימה מובילים לעצירה פתאומית של הכלי המסתובב. עקב כך יאיץ כלי העבודה החשמלי, אם אינו נמצא בשליטה, לכיוון המנוגד של הכלי שנחסם.
- כאשר לדוהמה דיסק השחזה נתקע או נחסם בחומר שבעבודה, הקצה של הדיסק שבכנס לחומר עשוי להילכד שם וכן לגרום לפריצת הדיסק או לרתע. הדיסק ינוע כעת לכיוון המפעיל או הדיסק ממנו – בהתאם לכיוון הסיבוב של הדיסק במקום החסימה. הדיסק עלול גם להישרר במצב זה.
- רתע נוצר כתוצאה משימוש שגוי בכלי העבודה החשמלי. ניתן למנוע אותו בעזרת אמצעי הזהירות המוסברים להלן.
- החזק את כלי העבודה החשמלי בשתי ידיים והבא גופך דוורעותיך לתנוחה שבה יוכלו לספוג את כוחות הרתע. השתמש תמיד בידי האחיזה הנוספת, אם קיימת, כדי שתהיה לך שליטה גדולה ככל האפשר על כוחות הרתע או מומנטי התגובה בעת האצת המכשיר. המשתמש יכול לשלוט בכוחות הרתע והתגובה אם יקוט אמצעי זהירות מתאימים.
- לעולם אל תקרב את ידך לכלי מסתובב. הכלי עלול לנוע מעל היד שלך במקרה של רתע.
- דאג שרועך לא יימצא בתחום שלכיוונו כלי העבודה החשמלי ינוע במקרה של רתע. שמועך את כלי העבודה החשמלי לכיוון המנוגד לכיוון התנועה של הדיסק במקום החסימה.
- היה זהיר במיוחד בעבודה בפנינות, על קצוות חדים וכן הלאה. מנע מצב שבו הכלי נהדף בתחום החומר שבעבודה או נתקע בו. בפנינות, בקצוות חדים או כאשר הכלי נהדף הוא נוטה להיתקע. זה גורם לשליטה או לרתע.
- אל תשתמש בשרשראות או בדיסק כיסור משונן וכן בדיסק יהלום מחורץ בעל חריצים ברוחב גדול מ-10 מ"מ. כלים כאלה גורמים לעתים קרובות לרתע או לאבדן השליטה בכלי העבודה החשמלי.

הנחיות בטיחות מיוחדות להשחזה וחיתוך:

- השתמש אך ורק בכלי השחזה שאושר לעבודה עם כלי העבודה החשמלי שלך וכן במגן דיסק המתאים לכלי ההשחזה. המגן אינו יכול להגן היטב מפני כלי השחזה שאינם מיועדים לכלי העבודה החשמלי שלך, ולפיכך הם אינם בטוחים.
- דיסקי השחזה קטורים צריכים להיות מותקנים באופן כזה שהשטח המשחזי שלהם לא יימצא מעל לגובה קצה מגן הדיסק. דיסק השחזה שהותקן בצורה לא נכונה ובולט מעבר לגובה קצה מגן הדיסק לא יהיה מוגן די הצורך.
- המגן צריך להיות מחובר בצורה בטוחה לכלי העבודה החשמלי, וכדי להבטיח רמת בטיחות מרבית עליו להיות מכוון באופן שיתורי שטח כלי גלוי כמה שיותר קטן בכיוון המשתמש. מגן הדיסק עוה להגן על המשתמש מפני שברים, מגע בשובג בכלי ההשחזה וכן מפני ניצוץ שעלולים להצית את הבגדים.
- מותר להשתמש בגופי הליתוש וההשחזה רק לשימושי שלשמן הם אושרו. לדוגמה: לעולם אין להשיח באמצעות פני השטח הצדדים של דיסק חיתוך. דיסקי חיתוך מיועדים להסרת חומר בעזרת קצה הדיסק. הפעלת כוח צדי עלולה לשבור את כלי ההשחזה.



- ◀ **השתמש תמיד באוגן הידוק שאינו פגום, בגודל המתאים וצורה המתאימה לדיסק ההשחזה שבחזרת.** אוגנים מתאימים תומכים בדיסק ההשחזה ומפחיתים את הסכנה לשבירת הדיסק. אוגנים לדיסקי חיתוך עשויים להיות שונים מאוגנים של דיסקים אחרים.
- ◀ **אין להשתמש בדיסקי השחזה שחוקים של כלי עבודה חשמליים גדולים יותר.** דיסקים של כלי עבודה חשמליים גדולים יותר אינם מיועדים למהירות סיבוב גבוהות של כלי עבודה חשמליים קטנים יותר ועלולים להישבר.
- ◀ **השתמש תמיד במגן הדיסק המתאים לעבודה הספציפית כאשר אתה משתמש בגופי ליטוש והשחזה דו-בדדיים.** שימוש במגן דיסק שגוי לא יספק הגנה מספקת, מה שעלול להוביל לפציעות קשות.
- ◀ **הנחיות בטיחות נוספות מיוחדות לחיתוך:**
- ◀ **מנע חסימה של דיסק החיתוך ואל מפעיל כוח לחיצה רב.** אל תבצע חתכים עמוקים מדי. עומס יתר על דיסק החיתוך מגביר את הסיכוי להיתקעות או לחסימה ובכך את הסיכון לרתע או לשבירת כלי ההשחזה.
- ◀ **אל תקרב לאזור שלבני ומאוחזי הדיסק המסתובב.** במקרה של רתע כאשר דיסק החיתוך מסתובב בחלק שבעבודה, כלי העבודה החשמלי עלול להידק במהירות לכיוונך בידך עם הדיסק.
- ◀ **אם דיסק החיתוך נתקע או אם אתה מפסיק לעבוד, כבה את המכשיר והחזק אותו יציב עד שהדיסק נעצר לגמרי.** לעולם אל תנסה למשוך את דיסק החיתוך מהרחיץ בזמן שהוא עדיין מסתובב, אחרת עלול להתרחש רתע. ברר מה היא הסיבה להיתקעות וטפל בה.
- ◀ **אל הפעל מחשו את כלי העבודה החשמלי כל עוד הוא נמצא בתוך החלק שבעבודה.** אפשר לדיסק החיתוך להגיע למהירות הסיבוב המרבית לפני שתמשךן דבריות חביתן. אחר עלול הדיסק להיתקע, להידק או מחוץ לחלק או לגרום לרתע.
- ◀ **לוחות או חלקים גדלי של לתמוך כדי להפחית את הסיכון לרתע עקב היתקעות דיסק החיתוך.** חלקים גדולים עשויים להתכופף תחת משקלם. יש לתמוך את החלק משני הצדדים של הדיסק, גם בקרבת מקום החיתוך וגם בקצה החלק.
- ◀ **היה זהיר במיוחד בחיתוך "יציבים" בקירות קיימים או בחלקים דומים.** כאשר הדיסק חודר ופוגע בצנרת, גז, מים או חשמל או בעצמים אחרים הוא עלול לגרום לרתע, מלחית או לחתוך חיתוך מעוגלים עומס יתר על דיסק החיתוך מגביר את הסיכוי להיתקעות או לחסימה ובכך את הסיכון לרתע או לשבירת כלי ההשחזה, מה שעלול להוביל לפציעות קשות.
- ◀ **הוראות בטיחות נוספות**
- ◀ השתמש במוצר ובאביזרים רק בתנאי שהם נמצאים במצב טכני מושלם.
- ◀ אל תבצע בשום אופן שינויים או מניפולציות במוצר או באביזרים.
- ◀ השתמש במגני שמיעה. רעש חזק עלול לפגוע בשמיעה.
- ◀ אחזק את המוצר היטב תמיד בשתי ידיים האחידה שלו. שמור על ידיות האחידה יבשות, נקיות ומלכלוך שמון או גריר.
- ◀ כאשר מפעילים את המוצר ללא שאיבת אבק, יש ללבוש מסכת נשימה קלה בעבודות היצרות אבק.
- ◀ ערוך הפסקות תכופות ותרגילים לשיפור זרימת הדם לאצבעות. בעבודה ממושכת הערידות החזקות ממשכיר עשויות לגרום להפרעות בכלי הדם או במערכת העצבים של האצבעות, כפות הידיים או שורשי כף היד.
- ◀ אין לגעת בחלקים מסתובבים. הפעל את המוצר רק כשאתה נמצא באזור העבודה. נגיעה בחלקים מסתובבים, ובעיקר בכלים מסתובבים, עלולה לגרום לפציעות.
- ◀ המוצר אינו מיועד לאנשים חלשים ללא הכשרה מתאימה. הרחק את המוצר משהיג ידם של ילדים.
- ◀ אבק שנצרב במהלך ליטוש, השחזה, חיתוך או ידיוח עלול להכיל כימיקלים מסוכנים. להלן כמה דוגמאות: עופרת או צבעים מבוסי עופרת; לבנים, בטון ומוצרים אחרים לבניית קירות, אבן טבעית ומוצרים אחרים המכילים סיליקה; סוגי עץ מסוימים, כגון אלון, בוק ועץ שעבר טיפול כימי; אסבסט או חומרים המכילים אסבסט. יש למדוד את חשיפת השתמש והאנשים בסביבה על פי דיווח הסכנה של החומרים שבהם עובדים. קטא את האמצעים הדרושים כדי לשמור את החשיפה ברמה בטוחה, לדוגמה שימוש במערכת שאיבת אבק או לבישת מסכת נשימה מתאימה. להלן רשימה של אמצעים כלליים להפחתת החשיפה:
- ◀ עבודה באזור מאוורר היטב.
- ◀ הימנעות ממגע ממושך עם האבק.
- ◀ סילוק האבק מהפנים והגוף.
- ◀ לבישת בגוד מגן ושטיפת אזורים חשופים במים וסבון.
- ◀ במהלך השימוש במוצר השתמש ואנשים הנמצאים בקרבת מקום חייבים ללבוש משקפי מגן, קסדת עבודה ומגני שמיעה מתאימים.
- ◀ סכנת פציעה מצלי עבודה /או אביזרים נופלים. ודא לפני תחילת העבודה שהאביזרים המותקנים מחוברים היטב.
- ◀ שמור על חריצי האוורור פנויים תמיד. סכנת כוויה כשחריצי האוורור מכוסים!
- ◀ הדלק את המכשיר רק לאחר שהבאת אותו לעמדת העבודה.
- ◀ המתן עד לעצירה מלאה של המוצר לפני שאתה מניח אותו.
- ◀ לבש נעלי בטיחות בעת החלפת כלי. מגע כלי עלול לגרום לפציעות ולכוויות.
- ◀ **טיפול ושימוש קפדניים בכלי עבודה חשמליים**
- ◀ יש לשמור דיסקי השחזה ולטפל בהם בהקפדה בהתאם להנחיות היצרן.
- ◀ לעולם אין להשתמש במוצר ללא מגן דיסק.
- ◀ הדק את החלק שבעבודה. השתמש בהתקני הידוק או במלחציים כדי לייצב את החלק שבעבודה. כך החלק מיוצב טוב הרבה יותר מאשר כשאתה מחזיק אותו בידך, ובנוסף לכך שתי ידך נותרות פנויות לתפעול המוצר.
- ◀ אין להשתמש בדיסקי חיתוך לצורך השחזה.
- ◀ הדק את הכלי ואת האוגן. אם הכלי והאוגן לא הודקו כראוי, ייתכן כי לאחר כיבוי המכשיר יתנתק הכלי מהציר עקב בלימת המנוע.
- ◀ אין לחבר את תפס החגורה למוצר זה.
- ◀ **בטיחות בחשמל**
- ◀ לפני תחילת העבודה יש לבדוק אם ישנם כבלים חשמליים, צינורות גז או מים נסתרים. חלקים מתכתיים חיצוניים על המכשיר עלולים לגרום התחשמלות או פיצוץ כאשר פוגעים בכבל חשמל, צינור גז או מים.
- ◀ מוצרים שהתלכדו עקב עבודה תכופה בחומרים מוליכים יש להביא למעבדות של Hilti לבדיקה באופן סדיר. אבק שנדבק לפני השטח של המכשיר, ובמיוחד אבק מחומרים מוליכים או לחות עלולים לגרום להתחשמלות.
- ◀ **מקום העבודה**
- ◀ בעבודות פריצה יש לאבטח את האזור בצד הנגדי של מקום העבודה שלך. חומרים מעובדות הפריצה עשויים ליפול ולפצוע אנשים אחרים.
- ◀ חיתוך חריצים בקירות תומכים או כריכיים מנבאים אחרים עשוי להשפיע על חוזק המבנה, במיוחד בחיתוך של ברזל זיון או קורות נושאות. לפני תחילת העבודה יש להתייעץ באודיטור, במנהל אתר הבנייה או בגורם אחראי אחר.
- ◀ **הוראות נוספות לשימוש במגן דיסק**
- ◀ כדי למנוע את הדקים הבאים, יש להשתמש תמיד במגן הדיסק המתאים, ראה פרק: "התאמת הדיסקים ליצוד שבימוש".
- ◀ כאשר משתמשים במגן דיסק סגור משני הצדדים להשחזה שטוחה, מגן הדיסק עלול לגעת בחלק המעובד וכך לגרום לאובדן שליטה.



- ◀ כאשר משתמשים במברשת ברזל עבה יותר מהעובי המרבי המותר, חוטי הברזל עלולים להילכד במגן הדיסק ולהישרב.
- ◀ כאשר משתמשים במגן דיסק לחיתוך/השחזה של מתכת עם דיסקי חיתוך-השחזה, קיים סיכון מוגבר להיווצרות ניצוצות וחלקיקים, ואם הדיסק נשבר עלולים להתעופף בחלל שברי דיסק.
- ◀ כאשר משתמשים במגן דיסק סטנדרטי עם או ללא כיסוי קמי עבודות חיתוך והשחזה של בטון או קירות, נוצר עומס אבק בבוה וסיכון מוגבל לאובדן השליטה במוצר, מה שיוכל לתת.

תיאור

סקירת המוצר 1

<p>9 אום הידוק מהיר Kwik lock (אופציונלית)</p> <p>10 דיסק חיתוך</p> <p>11 מגן דיסק</p> <p>12 ידית הידוק</p> <p>13 בורג כוונון</p> <p>14 ציר</p> <p>15 אוגן נגדי (מחובר למכשיר)</p> <p>16 מנף שחרור (עבור ידית אחיזה ניתנת להטיה)</p>	<p>1 לחצן נעילת ציר</p> <p>2 תברגי פנימי עבור ידית אחיזה</p> <p>3 פס להנחה</p> <p>4 מתג הפעלה/כיבוי</p> <p>5 הדק בטיחות</p> <p>6 ידית אחיזה נוספת</p> <p>7 מפתח</p> <p>8 אום הידוק</p>
---	--

שימוש בהתאם ליעוד

המוצר המיועד הוא משחזת זווית חשמלית בשימוש ידני. היא מיועדת לעבודות חיתוך והשחזה של חומרים מתכתיים ומינרליים ללא שימוש במים. מותר להשתמש בה לחיתוך/השחזה יבשים בלבד.

מותר לחבר את המכשיר רק לרשת חשמל בעלת מתח ותדירות כמצוין על לוחית הדגם.

- כאשר משתמשים במשחזת הזווית לחיתוך, חירוף והשחזה של חומרים מינרליים חובה להשתמש במגן דיסק מתאים (לרכישה בנפרד).
- כאשר עובדים בחומרים מינרליים כגון בטון או אבן מומלץ להשתמש במגן שאיבה המותאם לשואב אבק של **Hilti**.

מפרט אספקה

משחזת זווית, מגן דיסק, ידית אחיזה נוספת, אוגן נגדי, אום הידוק, מפתח ברגים, הוראות הפעלה.

מוצרים נוספים המאפשרים עבור המוצר שלך תמצא במרכז **Hilti** או באינטרנט בכתובת: www.hilti.group

הגבלת דרום הזהה

הגבלת דרום ההזהה מפחיתה את הדרום בהפעלת המכשיר כדי שנתחך ההגנה לא יקפוז. כך גם נמנע רתע של המכשיר בתחילת העבודה.

יסות מהירות אלטרנטיב

יסות מהירות החשמלי שומר על מהירות סיבוב קבועה בין סרק לעומס. כך מושג עיבוד מיטבי של החומר בזכות מהירות סיבוב קבועה בעבודה.

Active Torque Control (ATC)

המערכת האלקטרונית מזהה סכנה להיתקעות של הדיסק ומכבה את המכשיר כדי למנוע מהציר מלהמשיך ולהסתובב.

לאחר שמערכת ACT נכנסה לפעולה על־ך להחזיר את המכשיר ידנית לשימוש. לשם כך שחרר ראשית את מתג הפעלה/כיבוי ואז הפעל את המכשיר מחדש.

כאשר ישנו כשל של מערכת ATC המכשיר יפעל רק במהירות פחותה ובמומנט פיתול פחות. הבא את המכשיר לבדיקה במעבדה של **Hilti**.



בלם מובנה

הבלם המובנה מפחיתה את זמן דעיכת מהירות הסיבוב של הכלי עד לעצירה.

פונקציה זו זמינה רק כל עוד ישנה אספקת חשמל למכשיר.



הגנת מכשיר חשמלית

הגנת המנוע החשמלית מנטרלת את צריכת החשמל ומגנה על המכשיר מפני עומס יתר.

כאשר ישנו עומס יתר על המנוע עקב הפגלת כוח לחיצה חזק מדי, הספק המכשיר יפחת משמעותית וייתכן אפילו שהוא ייעצר לגמרי. יש להימנע ממצב שבו המכשיר נעצר.

מגן דיסק סטנדרטי לחיתוך/השחזה 2

יש להשתמש במגן הדיסק הסטנדרטי לחיתוך/השחזה להשחזה גסה עם דיסקים להשחזה גסה לחיתוך עם דיסקים לחיתוך.

מגן דיסק (אביזר) 3

לצורך השחזה באמצעות דיסקי השחזה יש להשתמש במגן הדיסק הזה.

מגן דיסק סגור משני הצדדים (אביזר) 4

לצורך השחזה באמצעות דיסקי השחזה ישרים ולצורך חיתוך באמצעות דיסקי חיתוך בעיבוד חומרים מתכתיים יש להשתמש במגן דיסק סגור משני הצדדים.

מגן שאיבת אבק (חיתוך) DC-EX 230/9" עם סרגל הולכה (אביזר) 5

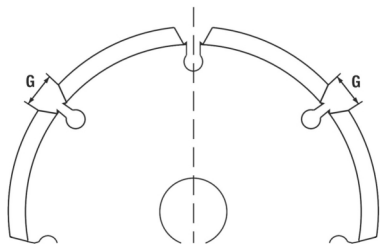
מותר לבצע עבודות חיתוך וחירוף בחומרים מינרליים רק עם מגן שאיבת אבק.

זהירות! אסור לעבד מתכת עם מגן דיסק זה.



גאומטריה של דיסקי חירוף ילום מתאימים

דיסקי חירוף יהלום צריכים לעמוד בדרישות הגאומטריות הבאות.



נתונים טכניים	
רוחב הריצים בין הסגמנטים (ז)	≥ 10 מ"מ
זווית חיתוך	שלילית

חומרים מתכלים

 מותר להשתמש רק בדיסקי פיבר מחודקים עם חומר מקשר שרף סינתטי $\varnothing 230$ מ"מ, שאושר לעבודה במהירות סיבוב של לפחות 6500 סל"ד ובמהירות היקף של 80 מ/שנ".

שים לב! לצורך חיתוך וחירוף באמצעות דיסק חיתוך יש להשתמש במגן דיסק כולל לוחית כיסוי או במגן דיסק סגור שלם.
דיסקים

קוד	שימוש	חומר לעיבוד	עובי מקס'	קוטר מקס'
AC-D	חיתוך, חירוף	מתכתי	2.5 מ"מ	230 מ"מ
DC-D	חיתוך, חירוף	מינרלי	3 מ"מ	230 מ"מ
AG-D	השחזה	מתכתי	6.4 מ"מ	230 מ"מ

התאמת הדיסקים לציוד שבשימוש

פריט	ציוד	DC-D	AG-D	AC-D
א	מגן דיסק סטנדרטי לחיתוך/השחזה	X	X	X
ב	מגן דיסק	-	X	-
ג	מגן דיסק סגור משני הצדדים	X	-	X
ד	מגן שאיבת אבק (חיתוך) DC-EX 230/9"	X	-	-
ה	ידית אחיזה נוספת	X	X	X
ו	ידית קשת DC-BG 230/9" (אופציונלי ל-ה')	X	X	X
ז	אום הידוק	X	X	X
ח	אוגן נגדי	X	X	X
ט	Kwik lock (אופציונלי ל-ז')	X	X	X

נתונים טכניים
משחזת זווית

את המתח הנקוב, הדום הנקוב, התדירות וההספק הנקוב תמצא בלוחית הדגם הספציפית למדינתך.



בעת הפעלה באמצעות גנרטור או שבאי הספק המוצא שלהם חייב להיות לפחות כפול מההספק הנקוב המצוין על לוחית הדגם של המכשיר. מתח העבודה של השבאי או הגנרטור חייב להימצא תמיד בטווח שבין +5% לבין -15% ביחס למתח הנקוב של המכשיר.

AG 230-27DB	
04	דור המוצר
6,500 סל"ד	סל"ד נקוב
230 מ"מ	קוטר דיסק מרבי
M14	קוטר תברג
22 מ"מ	אורך תברג
6.8 ק"ג	משקל

מידע על רעש וערכי רעידות לפי 62841

ערכי לחץ הקול והרעידות המצוינים בהוראות אלה נמדדו בהתאם לנוהל המדידה התקי, וניתן להשתמש בהם לצורך השוואה בין כלי עבודה חשמליים. הם מתאימים גם להערכה זמנית של העומסים.

הנתונים המצוינים תקפים לשימושים העיקריים בכלי העבודה החשמלי. אולם אם משתמשים בכלי העבודה החשמלי לשימושים אחרים, בשילוב איבזרים אחרים או אם המכשיר אינו עובר תחזוקה מספקת, הנתונים עשויים להשתנות. בעקבות זאת פריסת העומסים למשך זמן העבודה כולו עשויה להיות גבוהה באופן משמעותי.

לצורך הערכה מדויקת של העומסים יש לקחת בחשבון גם את הזמנים שבהם כלי העבודה כבוי או שבהם הוא אמנם פועל אך אינו בשימוש בפועל. בעקבות זאת פריסת העומסים למשך זמן העבודה כולו עשויה להיות נמוכה באופן משמעותי.

יש לקבוע הנחיות בטיחות נוספות להגנה על המשתמש מפני ההשפעות של קול ואו רעידות, כגון: תחזוקה של כלי העבודה החשמלי ושל כלי העבודה המחוברים, שמירה על ידיים חמות, ארגון תהליכי העבודה.



השחזת פחים דקים או חומרים אחרים עם פני שטח גדולים ושורעדים בקלות עלול להוביל לרמת רעש גבוהה הרבה יותר מערכי הרעש המצוינים. יש למנוע היווצרות רעש בחומרים כאלה באמצעים שונים, לזוגמה בעזרת לוחות ביודוד כבדים וגמישים. כאשר מבעצמים הערכת סיכונים של חשיפה לרעש, יש לקחת בחשבון תמיד גם את הערכים המוגדלים האלה.

מידע מפורט על גרסאות תקני **EN 62841** הישימים תמצא בתמונת הצהרת התאמות.



ערכי רעש

AG 230-27DB	
104 dB(A)	רמת הספק קול (L_{WA})
3 dB(A)	אי-ודאות ברמת הספק הקול (K_{WA})
96 dB(A)	רמת לחץ קול (L_{pA})
3 dB(A)	אי-ודאות רמת לחץ קול (K_{pA})

ערכי רעידות כוללים

שימושים אחרים, כגון חיתוך, עשויים לגרום לערכי רעידות אחרים.

AG 230-27DB	
6.3 מ' / שני ²	ליטוש פני שטח עם ידית מפחיתת רעידות ($a_{h,AG}$)
1.5 מ' / שני ²	אי ודאות (K_a)

תפעול

תפעול



אזהרה

סכנה עקב כבל פגום! אם כבל החשמל או הכבל המאריך נזרקו במהלך העבודה, נקת את מידת המכשיר עם הכבל מרשת החשמל. אל תיגע במקום הפגום! בדוק באופן סדיר את כל הכבלים. החליף כבל מאריך לא תקין. אם כבל החשמל פגום, פנה לחשמלאי מוסמך לצורך החלפתו.

ככלל מומלץ להשתמש במפסק הגנה (RCD) בעל זרם התרה של 30 mA.

הכנה לעבודה



זהירות

סכנת פציעה! תחילת תנוע לא מכוונת של המוצר.

נתק את תקע החשמל לפני שאתה מבצע כווננים במכשיר או מחליף אביזרים.

ציית להוראות הבטיחות והאזהרות שבתיעוד זה ולאלה המצוינות על המוצר.

התקנת ידית העזר

הברג את ידית האחידה הנוספת לאחד מהתברגים המיועדים לה.

מגן דיסק או מגן דיסק עם לוחית כיסוי

שים לב להוראות ההתקנה של מגן הדיסק.

התקנת מגן דיסק או מגן דיסק עם לוחית כיסוי

הקידוד על מגן הדיסק מוודא שניתן יהיה להתקין רק מגן דיסק המתאים למכשיר. מלבד זאת מונע פס הקידוד נפילה של מגן הדיסק על הכלי.



1. פתח את ידית ההידוק.

2. חבר את מגן הדיסק עם פס הקידוד אל חריץ הקידוד בצוואר המשחזת.

3. סובב את מגן הדיסק למיקום המבוקש.

4. סגור את ידית ההידוק כדי לקבע את מגן הדיסק.

מגן הדיסק כבר מכוון לקוטרו המתאים בעזרת בורג הכוונון. אם המתח חלש מדי כאשר מגן הדיסק מחובר, ניתן להדק מעט את בורג הכוונון כדי לחזק את כוח המתיחה.



כוונן מגן דיסק או מגן דיסק עם לוחית כיסוי

1. פתח את ידית ההידוק.

2. סובב את מגן הדיסק למיקום הדרוש.

3. סגור את ידית ההידוק כדי לקבע את מגן הדיסק.

הסרת מגן הדיסק

1. פתח את ידית ההידוק.

2. סובב את מגן הדיסק עד שפס הקידוד תואם את חריץ הקידוד ואז הסר אותו.

התקנה והסרה של כלי השחזת/חיתוך



זהירות

סכנת פציעה. הכלי עלול להיות חם מאוד.

◀ לבש כפפות מגן בעת החלפת כלי.



יש להחליף דיסקי יהלום ברגע שהספק החיתוך/השחזה פוחת באופן ניכר. בדרך כלל זה מתרחש כאשר גובה סגמנטי היהלום נמוך מ-2 מ"מ (1/16"). סוגי דיסק אחרים יש להחליף ברגע שהספק החיתוך פוחת באופן ניכר או אם במהלך העבודה נוצר מגע בין חלקים של משחזת הזווית (מלבד הדיסק) לבין החומר שבעבודה.
דיסקים לחומרים שחוקים יש להחליף כשמגיע תאריך התפוגה שלהם.

התקנת כלי 3

1. נתק את תקע החשמל משקע רשת החשמל.
2. נקה את האוגן הנגדי ואת אום ההידוק.
3. ודא שטבעת ה-O נמצאת באוגן הנגדי ושהיא תקינה לגמרי.

תוצאה

- טבעת O אינה תקינה.
- אין טבעת O באוגן הנגדי.
- החלף את טבעת O.
- 4. חבר את הכלי.
- 5. הברג את אום ההידוק בהתאם לכלי המחובר.
- 6. לחץ על לחצן נעילת הציר והחזק אותו לחוץ.
- 7. הדק את אום ההידוק בעזרת המפתח ולאחר מכן שחרר את לחצן נעילת הציר והסר את המפתח.

הסרת כלי

1. נתק את תקע החשמל משקע רשת החשמל.

אזהרה

סכנת שבירה והרס. לחיצה על לחצן נעילת הציר בזמן שהציר מסתובב עלולה לגרום לשחרור הכלי המחובר.
לחץ על לחצן נעילת הציר רק כאשר הציר אינו מסתובב.

2. לחץ על לחצן נעילת הציר והחזק אותו לחוץ.
3. חבר את מפתח האומים וסובב אותו נגד כיוון השעון כדי לשחרר את אום ההידוק המהיר.
4. שחרר את לחצן נעילת הציר והוצא את הכלי.

התקנה של כלי עם אום הידוק מהיר Kwik lock 9

אזהרה

סכנת שבירה. עקב שחיקה מרובה עלולה אום ההידוק המהיר Kwik lock להישבר.
ודא שבמהלך העבודה לוצר נוצר מגע בין אום ההידוק המהיר Kwik lock לחומר שבעבודה.
אין להשתמש באום הידוק מהיר Kwik lock אם הוא פגום.

במקום אום ההידוק ניתן להשתמש באום הידוק מהיר Kwik Lock. כך ניתן להחליף כלי ההשחזה/חיתוך ללא שימוש בכלי עבודה.



1. נתק את תקע החשמל משקע רשת החשמל.
 2. נקה את האוגן הנגדי ואת אום ההידוק המהיר.
 3. ודא שטבעת ה-O נמצאת באוגן הנגדי ושהיא תקינה לגמרי.
- תוצאה**
- טבעת O אינה תקינה.
 - אין טבעת O באוגן הנגדי.
 - החלף את טבעת O.
 - 4. חבר את האביזר.
 - 5. הברג את אום ההידוק המהיר Kwik lock עד שהיא נצמדת לכלי המחובר.
 - 6. במצב מוברג הכיתוב Kwik lock גלוי.
 - 7. לחץ על לחצן נעילת הציר והחזק אותו לחוץ.
 - המשך לסובב את הכלי בידך בחוזקה עם כיוון השעון עד שאום ההידוק המהיר Kwik-Lock מוהדק היטב, ודא שחרר את לחצן נעילת הציר.

הסרה של כלי עם אום הידוק מהיר Kwik lock 10

1. נתק את תקע החשמל משקע רשת החשמל.

אזהרה

סכנת שבירה והרס. לחיצה על לחצן נעילת הציר בזמן שהציר מסתובב עלולה לגרום לשחרור הכלי המחובר.
לחץ על לחצן נעילת הציר רק כאשר הציר אינו מסתובב.

2. לחץ על לחצן נעילת הציר והחזק אותו לחוץ.
3. שחרר את אום ההידוק המהיר Kwik lock באופן הבא: סובב בידך את אום ההידוק המהיר נגד כיוון השעון.
4. אם אינך מצליח לשחרר את האום ההידוק המהיר Kwik lock בידך, השתמש במפתח הברגים וסובב נגד כיוון השעון.

לעולם אין להשתמש במפתח צינורות, כדי שלא לגרום נזק לאום ההידוק המהיר Kwik lock.



5. שחרר את לחצן נעילת הציר והוצא את הכלי.



שינוי מיקום ידית האחיזה 11**אזהרה**

- סכנת פציעה.** אם משנים את מיקום ידית האחיזה במהלך העבודה, יציבות המכשיר אינה מובטחת עוד ועקב כך עלולות להתרחש תאונות.
- לעולם אין לשנות את מיקום ידית האחיזה בזמן שהמכשיר פועל.
- וודא שידית האחיזה בעולה באחד משלושת המצבים האפשריים.

1. נתק את תקע החשמל משקע רשת החשמל.
2. לחצן על מתג השחרור.
3. הטה את ידית האחיזה ימינה או שמאלה עד למעצור.
4. הרפה ממתג השחרור ונעל את הידית.

השחזה**זהירות**

- סכנת פציעה.** הכלי עלול להיתקע בפתאומיות.
- השתמש במוצר עם ידית העזר, והחזק את המוצר תמיד היטב בשתי ידיים.

חיתוך

- בעת החיתוך הפעל כוח דחיה מתון ועבוד בצורה ישירה עם כלי העבודה (זווית עבודה כ-90° לפני השטח של החומר שאתה חותך).



הדרך הטובה ביותר לחתוך פרופילים וצינורות מרובעים קטנים היא לעבוד במקום בעל הקוטר הקטן ביותר.

השחזה**אזהרה**

- סכנת פציעה.** דיסק החיתוך עלול להתפוצץ, כך שחלקים ממנו יתעופפו ויגרמו לפציעות.
- לעולם אין להשתמש בדיסקי חיתוך לצורך עבודות השחזה.

- הדד את המכשיר מצד לצד בזווית גישה של 5° עד 30° תוך הפעלת לחץ מתון.
- החלק שבעבודה לא יתחמם מדי, לא ישנה את צבעו ולא ייווצרו חריצים.

הפעלה 12

1. חבר את תקע החשמל לשקע רשת החשמל.
2. לחץ על הדק הבטיחות כדי לשחרר את מתג ההפעלה/כיבוי.
3. לחץ על מתג ההפעלה/כיבוי עד הסוף.

כיבוי

- שחרר את מתג ההפעלה/כיבוי.

טיפול ותחזוקה**טיפול****סכנה**

- סכנת עקב דום חשמלי.** תיקונים ועבודות תחזוקה שמבוצעים בצורה לא מקצועית ברכיבים שממליים כמו גם ניקוי לא מספיק או לא מקצועי עלולים להוביל לפגיעות קשות.
- רק חשמלאים מוסמכים רשאים לתקן רכיבים שממליים.
- אין להשתמש במוצר לעולם כשפתחי האווור סתומים.
- אין לנקות את המכשיר באמצעות מכונת ניקוי בלחץ מים, מכונת ניקוי בקיטור או במים זורמים.
- יש לשמור את המוצר, ובמיוחד על הידית, נקיים מלכלוך, שומן או גריד.

אזהרה

- סכנת עקב דום חשמלי.** הפעלה תכופה בסביבה שיש בה חומרים מוליכים (כגון מתכות, סיבי פחם, חלקיקים מינרליים) עלולה להוביל למשקעים מסוכנים בתוך הכלי. זה עלול להוביל לתקלות חשמליות ולפגיעות.
- המשתמש אחראי לקבוע מועדים סדירים לניקוי ולתחזוקה בהתבסס על תנאי העבודה הספציפיים ובהתאמה לכללי הבטיחות במקום העבודה ולחוקים התקפים.
- יש לוודא ששום עצם זר לא חודר לתוך המוצר.
- נקה את חריצי האווור בזהירות בעזרת מברשת יבשה.
- יש להשתמש במטלית יבשה ונקייה לניקוי נקודות האחיזה של המוצר.
- יש לנקות את החלק החיצוני של המוצר באופן שגרתי במטלית לחה מעט.
- מוחרי נקבות את המוצר במטלית שהוספגה קלות בנודל שטיפת כלים עדין וזים. אין להשורת את המוצר או לטבול אותו במים. אין להשתמש בחומרים מססיים אגרסיביים, בשמנים חודרים או בחומרי ניקוי לא מוכרים מאחר שהם עלולים לפגוע בחלקי פלסטיק או לפגוע בתפקוד התקין של המוצר.
- עבודה תכופה בחומרים מוליכים (כגון מתכת, סיבי פחמן) דורשת קיצור של מרווחי הזמן בין טיפולי התחזוקה. שים לב לניתוח הסיכונים הספציפי במקום העבודה ולתקנות / חוקי הבטיחות בעבודה במדינתך.

עבור ניו דילנד / אוטוטרילה: ככלל מומלץ להשתמש במפסק הגנה (RCD) בעל זרם התרה של 30 mA.

**תחזוקה**

- בדוק באופן סדיר את כל החלקים הגלויים כדי לאתר נדקים ולוודא שכל הרכיבים פועלים באופן תקין.
- אל תפעיל את המוצר אם ישנם נדקים ו/או תקלות. פנה מיד לשירות של Hilti כדי לתקן את המוצר.



• לאחר עבודות טיפול ותחזוקה יש להתקין בחזרה את כל ציוד ההגנה ולבדוק שהוא פועל בצורה תקינה.

לצורך הפעלה בטוחה של המכשיר יש להשתמש רק בחלקי חילוף וחומרים מתכלים מקוריים. את חלקי החילוף, החומרים המתכלים והאביזרים שאושרו על-ידי Hilti עבור המוצר שלך תמצא ב-Hilti Store שלך או בכתובת: www.hilti.group



בדיקות לאחר עבודות טיפול ותחזוקה

◀ לאחר עבודות טיפול ותחזוקה יש לבדוק שכל התקני ההגנה מותקנים ופועלים ללא תקלות.

הובלה ואחסון

הובלה

- ◀ אין להוביל את המוצר כאשר מחובר אליו כלי עבודה.
- ◀ ודא שהמכשיר יציב בהובלה.
- ◀ לאחר כל הובלה בודק את כל החלקים הגלויים לאיתור נזקים ובודק תפקוד תקין של כל רכיבי ההפעלה.

אחסון

- ◀ יש להקפיד לנתק את התקע לפני האחסון.
- ◀ יש לאחסן מוצר זה במקום יבש הרוחק מהישג ידם של ילדים ואנשים לא מורשים.
- ◀ לאחר כל אחסון ממושבך בודק את כל החלקים הגלויים לאיתור נזקים ובודק תפקוד תקין של כל רכיבי ההפעלה.

תיקון תקלות

אם מתרחשת תקלה שאינה מוסברת בטבלה זו או שאינך יכול לתקן בעצמך, פנה לשירות של Hilti.

תקלה	סיבה אפשרית	פתרון
המכשיר אינו מתחיל לפעול.	אספקת החשמל נותקה.	חבר מכשיר חשמלי אחר ובודק אם הוא פועל.
	כבל החשמל או תקע החשמל אינם תקינים.	פנה לחשמלאי מוסמך לצורך בדיקת כבל החשמל או תקע החשמל, ובמקרה הצורך דאג להחלפתם.
	הפחמים נשחקו.	הבא את המכשיר לבדיקה אצל חשמלאי מורשה, והחלף את הפחמים במקרה הצורך.
	מניעת חיזוש ההפעלה פעילה עקב הפסקת חשמל.	כבה את המכשיר והדלק אותו מחדש.
המכשיר אינו פועל.	עומס יתר של המכשיר.	שחרר את מתג ההפעלה/כיבוי ולחץ עליו מחדש. כעת אפשר למכשיר לפעול כ-30 שניות בסל"ד סרק.
המכשיר אינו פועל בעוצמה מלאה.	קוטר הכבל המאריך קטן מדי.	השתמש בכבל מאריך עבה מספיק.
	כשל של פונקציית ATC	פנה לשירות של Hilti כדי לתקן את המוצר.

סילוק

המוצרים של Hilti מיוצרים בחלקם הגדול מחומרים ניתנים למיחזור. כדי שניתן יהיה למחזרם דרושה הפרדת חומרים מקצועית. במדינות רבות Hilti תקבל את המכשיר הישן שלך בחזרה לצורך מיחזור. פנה לשירות של Hilti או למשווק.

◀ אין להשליך כלי עבודה חשמליים, כלים אלקטרוניים וסוללות לפסולת הביתית!



אחריות יצרן

◀ אם יש לך שאלות בנושא תנאי האחריות, אנא פנה למשווק Hilti הקרוב אליך.

מידע נוסף

מידע נוסף על ההפעלה, הטכנולוגיה, הסביבה, הצהרת RoHS (לשווקים סין ויפן בלבד) והמיחזור תמצא בקישור הבא: qr.hilti.com/manual/?id=2157196&id=2157197
קישור זה מופיע גם בקוד QR בהוראות ההפעלה האלה, מסומן בסמל



**Declaration of conformity****Declaration of conformity**

The manufacturer declares, on his sole responsibility, that the product described here complies with the applicable legislation and standards.

The technical documentation is filed here:

Hilti Entwicklungsgesellschaft mbH | Tool Certification | Hiltistrasse 6 | D-86916 Kaufering, Germany

Product information

Angle grinder	AG 230-27DB
Generation	04
Serial no.	1-9999999999



היצרן מצהיר באחריותו הבלעדית כי המוצר המתואר כאן עונה על דרישות החוק התקפות והתקנים התקפים.
 התיעוד הטכני שמור כאן:

Hilti Entwicklungsgesellschaft mbH | Zulassung Geräte | Hiltistraße 6 | 86916 Kaufering, Germany

בתוני המוצר

AG 230-27DB	משחזת זווית
04	דור
9999999999-1	מס' סידורי

Hilti Corporation

Feldkircherstraße 100
 9494 Schaan | Liechtenstein

AG 230-27DB (04)

2006/42/EC

2014/30/EU

2011/65/EU

EN 62841-1 :2015, AC:2015, A 11 :2022

EN IEC 55014-1:2021

EN IEC 61000-3-2:2019, A1:2021

EN IEC 62841-2-3:2021/A11 :2021

EN IEC 55014-2:2021

EN 61000-3-3:2013, A 1 :2019, A2:2021/
 AC:2022



Schaan, 30.04.2024

Dr. Tahar Zrilli

Head of Quality and Process Management
 Business Area Electric Tools & Accessories

Edward-Louis Przybylowicz

Head of BU Power Tool & Accessories
 Business Area Electric Tools & Accessories



UK
CA**UK Declaration of conformity****Declaration of conformity**

The manufacturer declares, on his sole responsibility, that the product described here complies with the applicable legislation and standards.
The technical documentation is filed here:

Hilti Entwicklungsgesellschaft mbH | Tool Certification | Hiltistrasse 6 | D-86916 Kaufering, Germany

Product information

Angle grinder	AG 230-27DB
Generation	04
Serial no.	1-9999999999







Hilti Corporation
LI-9494 Schaan
Tel.:+423 234 21 11
Fax:+423 234 29 65
www.hilti.group



2157196