



2465368-2025.09.10

CE
 25
 Hilti AG
 LI-9494 Schaan
 Hilti Werke
 2873-CPR-201-72
 ETA-20/0867
 Notified body 2873
 EAD 330232-01-0601
 Product for fixing to- or
 connecting/supporting
 of building structures
 www.hilti.group

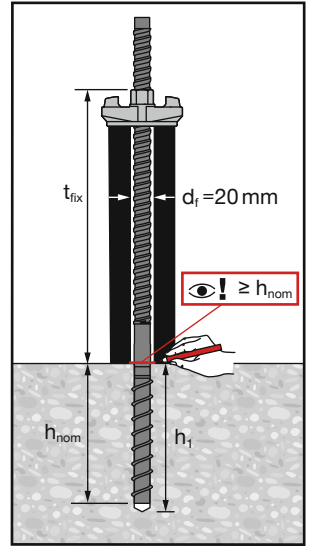
HUS4-DW 16 DW15/[$t_{fix,max}$]

$t_{fix,max}$

Hex 13

SI-S L ✓
SI-S S ✓

✓ DW15/B15



	h_{nom} [mm]
	≥ 130

	$h_1 \geq h_{nom} + 40\text{ mm}$	2a
	$h_1 \geq h_{nom} + 10\text{ mm}$	2b
	$h_1 \geq h_{nom} + 10\text{ mm}$	2a

SIW 6AT-22	✓
SIW 6AT-A22, SIW 4AT-22	✗
SIW 6-22	✓
SIW 22T-A	✓
SIW 8-22	✓
SIW 9-A22	✓
SIW 10-22	✓

