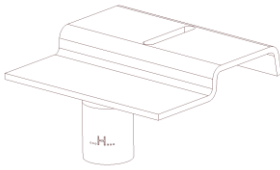
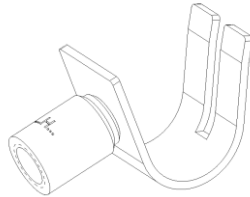


T-bar

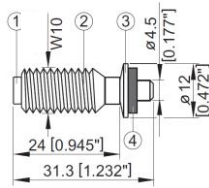
Product data



Slotted T-bar



Crimp T-bar



X-BT M10-24-6-SN12-R

General Information

Material specification:

T-bar

Stainless steel 316L (A4)

X-BT

Shank: CR500 (CrNiMo alloy)
equivalent to ASIS 316 material
Threaded sleeve: X2CrNiMo 17132
SN12-R washer: X5CrNiMo 17-12-2+2H
Sealing washer: Elastomer, black

Fastening Tools

DX 351 BT M10

With 6.8/11M high precision cartridges brown

Applications

Example



T-bar for fastening cables to steel structures

For fastenings exposed to maritime environment, Offshore, Shipbuilding, Petrochemical industry, etc. (corrosion category 5M)

Load data/ Fastener Capacity

Slotted cable hangers

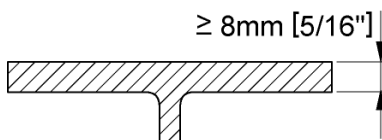
Prod Id	Item-no.	Recommended max nr. of cables	Recommended cable \varnothing	Spacing
X-15002-ESL-M-2	2048062	2	Up to 1,25" (32 mm)	approximately 60 – 80 cm (Adjust as necessary to control cable sagging)
X-15002-ESL-M-3	2048063	3	Up to 1,25" (32 mm)	
X-15002-ESL-M-4	2048064	4	Up to 1,25" (32 mm)	
X-15002-ESL-M-6	2048065	6	Up to 1,25" (32 mm)	
X-15002-ESL-M-8	2048066	8	Up to 1,25" (32 mm)	

Crimp hangers

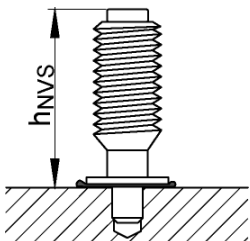
Prod Id	Item-no.	Cable Dia from	Cable Dia to	Spacing
Crimp single				
X-1026-M-1	2048067	0,437" (11 mm)	0,750" (19 mm)	approximately 60 – 80 cm (Adjust as necessary to control cable sagging)
X-1027-M-1	2048068	0,680" (17 mm)	0,900" (23 mm)	
X-1030-M-1	2048069	0,750" (19 mm)	1,000" (25 mm)	
X-1040-M-1	2048070	0,375" (10 mm)	0,531" (14 mm)	
Crimp double				
X-2002-M-2	2048071	0,437" (11 mm)	0,750" (19 mm)	approximately 60 – 80 cm (Adjust as necessary to control cable sagging)
X-2003-M-2	2048072	0,680" (17 mm)	0,900" (23 mm)	

Application requirements

Thickness of base material



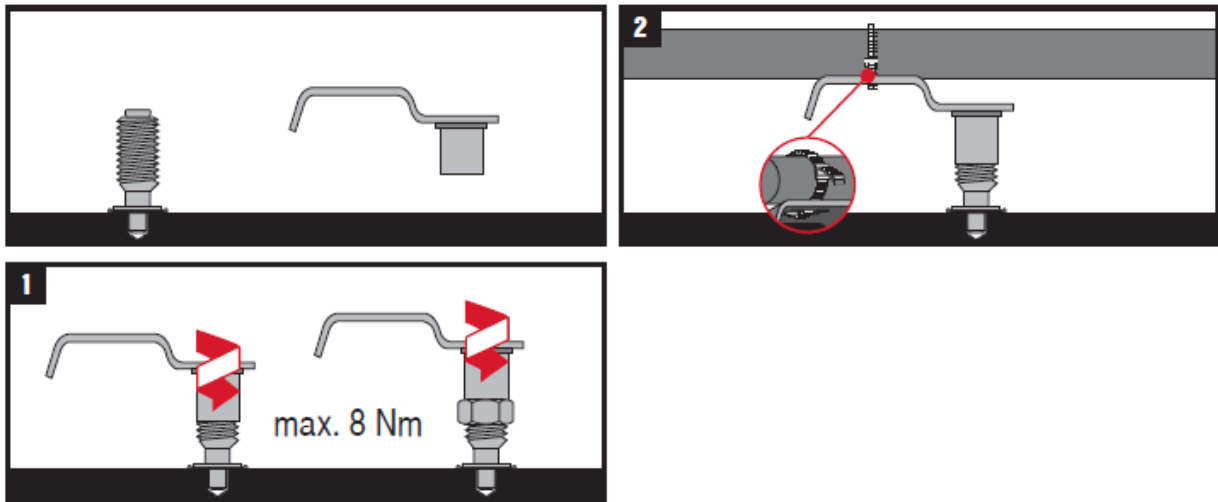
Fastening quality assurance



$$h_{NVS} = 25.7 - 26.8 \text{ mm}$$

Installation

Slotted cable hangers:



Crimped cable hangers:

